



**..2.0**  
Two holes,  
no outdoor  
units



**Design should not beautify  
but simplify.  
We did it.**



..2.0



..2.0 VERTICALE







..2.0 MINI



# ..2.0

**Almost invisible, powerful,  
noiseless and space-saving:  
this is the INNOVA air conditioner  
without an external unit**

No more of the usual bulky, unsightly condensing units that spoil homes. INNOVA has developed a high-efficiency solution with a hyper-compact design that minimises aesthetic impact. Just 16,5 centimetres deep, super simple installation and DC Inverter technology to optimise performance.

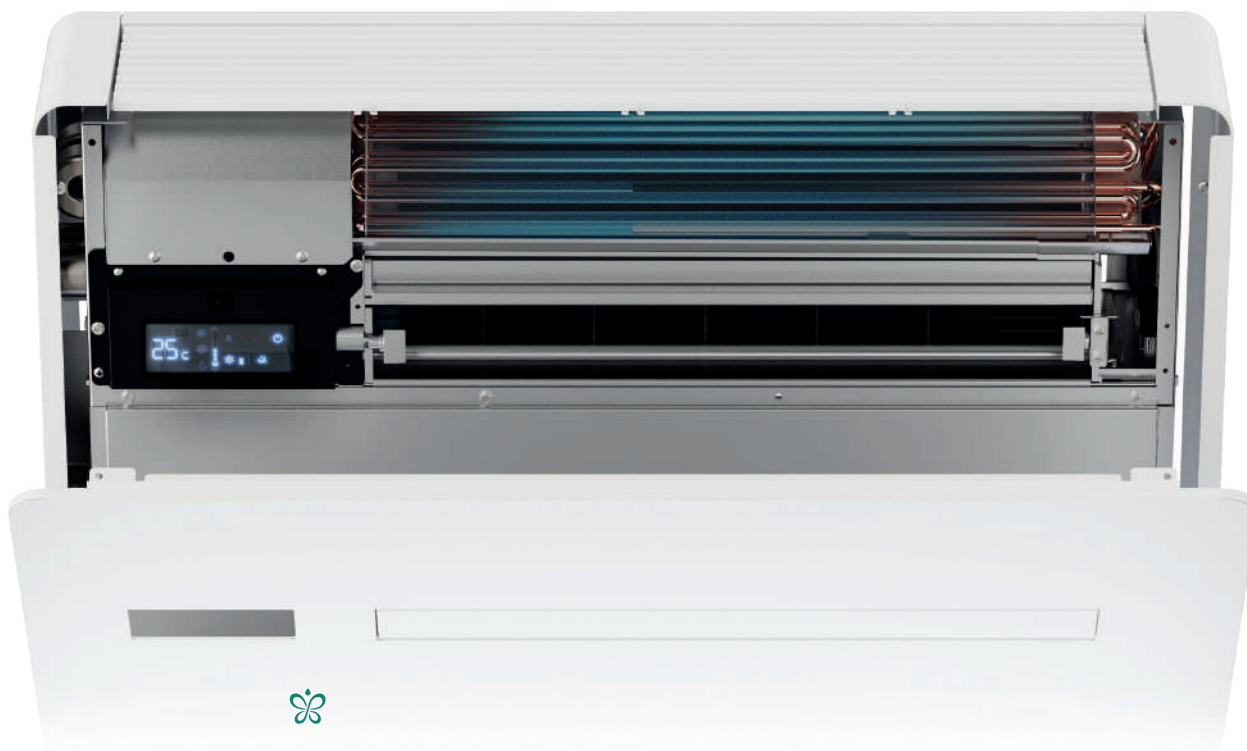
## Optimised power, reduced consumption and noise

With DC Inverter technology, the powers are optimised for maximum comfort with less consumption and noise, and thanks to Dual Power you can use maximum power to reach the required temperature in the shortest possible time. Once reached, the ..2.0 automatically adjusts itself in function of comfort.

The external grilles are foldable: they open when the machine is running and close when it is switched off, so as to minimise dust, noise and pollution, maximising comfort.

The ..2.0 MINI version is really eco-friendly because it uses R290 propane gas. Zero emission.

15 HP	•	•			
12 HP	•	•	•		•
10 HP	•		•		
9 HP				•	
	..2.0	..2.0 ELEC 2 kW	..2.0 VERTICAL	..2.0 MINI	..2.0 CEILING



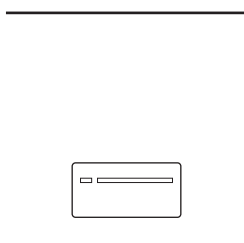




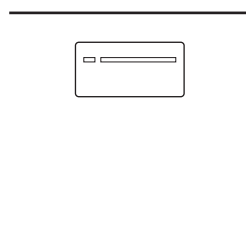
## High on the wall or down on the floor?

..2.0 from INNOVA can count on a complete product range that allows you to find the right model for every type of installation. All you need is an external wall and you can find the space to insert it high up on the wall, low down on the floor, in the corner or to the side of a French door or on ceiling. Maximum versatility to meet every need.

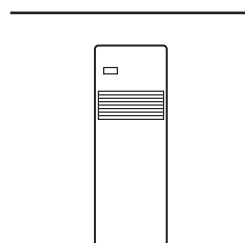
**Down installation**



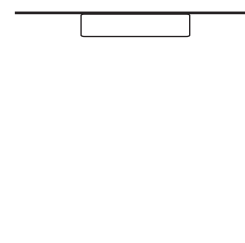
**Overhead installation**



**Installation on the side**



**Installation on ceiling**



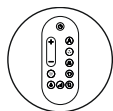
### Control modes



Integrated touch-screen



Remote touch-screen

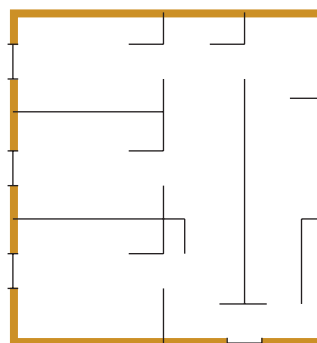


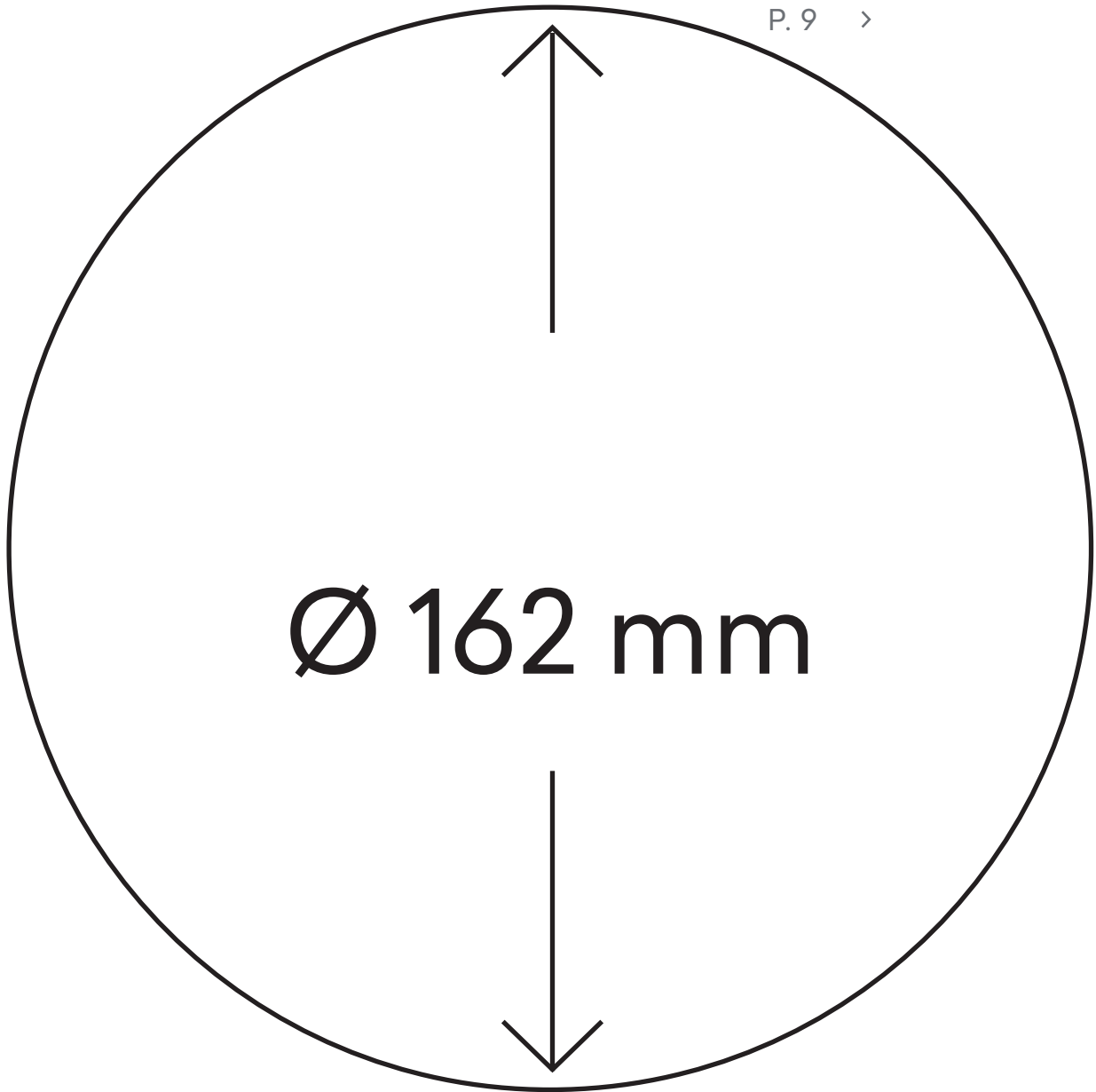
Handset control



iOS and Android APP

### Perimetral installation







..2.0 MINI





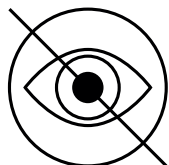
## Form follows function, Hyper-compact design and no plastic

The minimum depth, the right colour, the perfectly smooth surface, the body made entirely of metal... a product designed to integrate perfectly into any domestic environment, giving excellent performance and at the same time... disappearing... in both horizontal and vertical developments, the design of ..2.0 has been carefully studied down to the smallest detail so as to combine form and function in a perfect symbiosis.

..2.0 has a 100% metal body that is strong and robust. In the design, the dimensions of the components have been reduced and optimised to include all the functions required for perfect operation within a hyper-compact design.

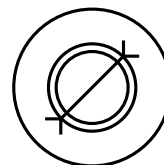
The depth? Just 16,5 centimetres. An ultra-thin thickness that minimises aesthetic impact, both inside and out.





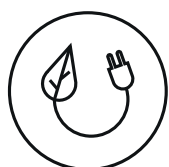
**ALMOST INVISIBLE,  
INDOOR AND OUTDOOR**

With only 16,5 cm depth ..2.0 is extremely slim and unobtrusive. The aesthetic impact is limited, both indoor and outdoor.



**162 mm HOLES  
(or 202 mm for 15 HP)**

Important for both design and installation: easier to find drilling tools, no need for professional drills, even less aesthetic impact.



**DC INVERTER AND DUAL  
POWER: OPTIMISED POWER,  
REDUCED CONSUMPTION**

Thanks to the DC Inverter technology, the powers are optimised so as to have the maximum comfort with the lowest consumption and noise. Thanks to Dual Power, you can use the maximum power of the machine to reach the required temperature in the shortest possible time. Once reached, the ..2.0 will automatically adjust itself in function of comfort.



**EASY  
INSTALLATION**

Installation accessories (template, support bracket, insulating wall pipes, outdoor grilles) are included in the package.







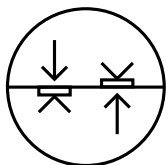
### “COOLING ONLY” AND “HEAT PUMP” IN THE SAME MODEL

..2.0 is in heat pump mode, with condensate drainage pipe. However, the “heating” function can be easily deactivated: the appliance operates in “cold only” mode, without the need for a condensate drain.



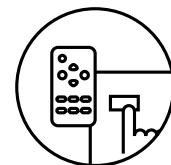
### NO FROST SYSTEM

In winter, during heat pump operation, the condensate drip tray is constantly preheated, so there is no risk of the water freezing.



### SELF FOLDABLE OUTDOOR GRILLES

The folding grilles of ..2.0, operated by the inlet and outlet air, open when the unit is working and close when the unit is switched off. Better indoor comfort, less dust, noise and pollution. Lower maintenance, even less visibility outside.



### REMOTE CONTROLS, ON BOARD THE UNIT, WITH APP

In addition to the remote control, the on-board control panel allows any function to be set, including a ‘lock’ function that prevents any inappropriate use. The APP allows complete management of the unit from a remote position, through WiFi.

# The versions



## ..2.0

The ..2.0 line has two major innovations in terms of power and size.  
A MAXI 15 HP version and a MINI 9 HP version using R290 propane gas.

MAXI  
15 HP

MINI  
9 HP



## ..2.0 ELEC 2 kW

A ..2.0 range with a heat pump supplemented by an electric heater that operates in very low outside temperatures or to provide rapid heating of very cold rooms.

..2.0 ELEC 2 kW uses R32 refrigerant gas.

ELEC  
2 kW





## ..2.0 VERTICALE

The vertical version of ..2.0 is ideal when there is insufficient or no space of its own, for example between two French windows or near corners.



## ..2.0 CEILING NEW

The model for installation in ceiling of ..2.0.  
..2.0 Ceiling uses R32 refrigerant gas.  
Better space management for positioning furniture and accessories.

# ..2.0 MINI

The small air conditioner without an external unit with R290 gas



**WITHOUT OUTDOOR UNIT**  
The outdoor unit is replaced by two holes of 162 mm.



**EASY INSTALLATION**  
Monoblock unit without refrigerant connections during installation.



**81 CM WIDTH**



**R290 PROPANE GAS**



## So small, so ecological

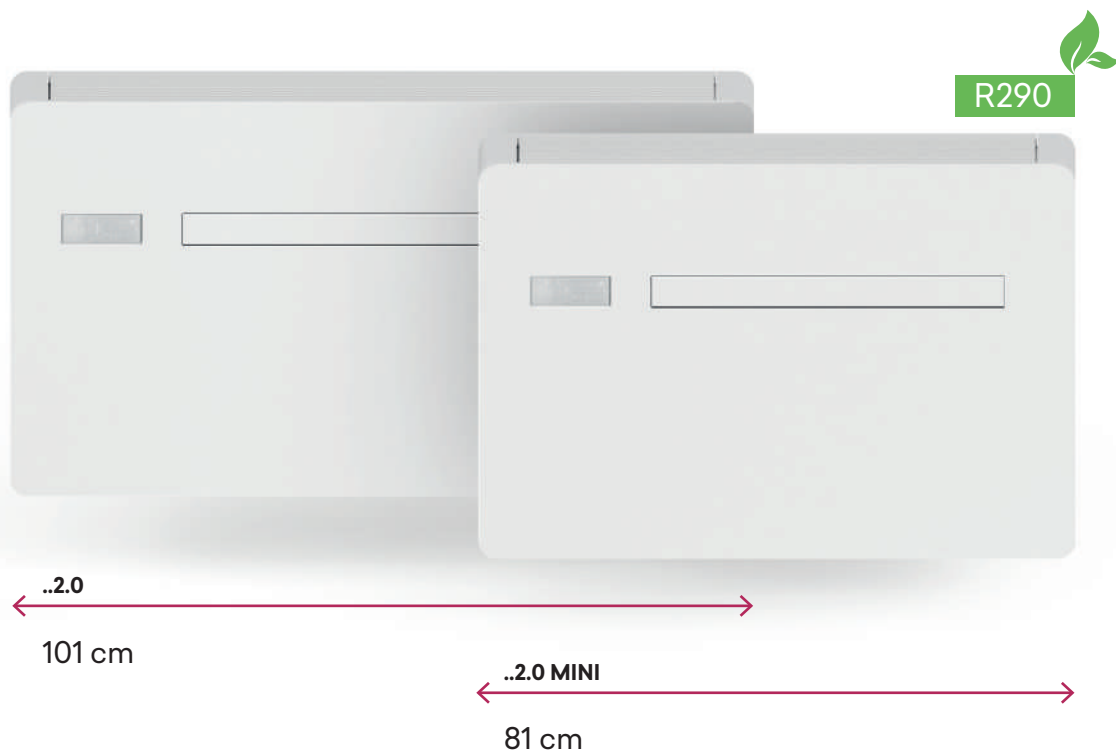
..2.0 MINI is the first fixed double duct air conditioner to use R290 (propane) gas. An exceptional amount of R&D work has been carried out to ensure that the unit operates perfectly with less than 150 g of gas, the limit imposed by law.

..2.0 MINI has an environmental impact in terms of GWP (Global Warming Potential) of 3, compared to R410a gas which has a GWP of 2088 and R32 gas which has a GWP of 675.

When space is particularly tight, ..2.0 MINI fits in, thanks to a width of just 81 cm wide, while maintaining the same standards of performance and silence.

### Power range ..2.0 MINI

15 HP	-
12 HP	-
10 HP	-
9 HP	•
	..2.0 MINI





# ..2.0 MAXI

The ..2.0 with extra-large power



#### 202 mm HOLES

The outdoor unit is replaced by two holes of 202 mm.



#### REFRIGERANT GAS R32



#### EASY INSTALLATION

Monoblock unit without refrigerant connections during installation

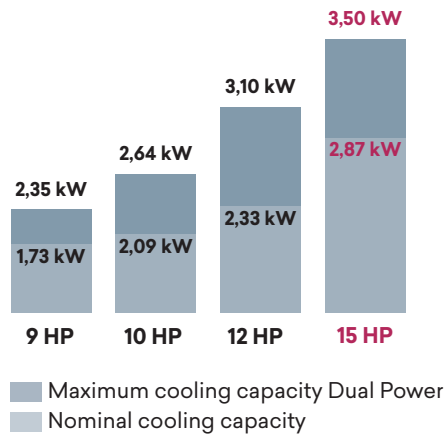


#### REMOTE CONTROL WITH INNOVAPP

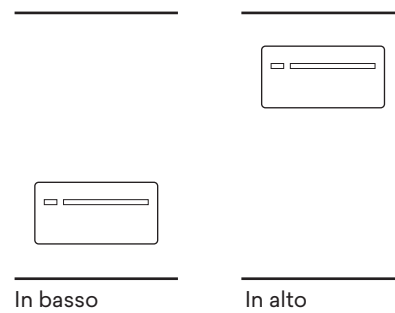
# Never seen such a powerful ..2.0

When you need more power... now there's ..2.0 MAXI.  
 With 202 mm holes, and all other dimensions being equal,  
 ..2.0 MAXI 15 HP delivers more power, while maintaining the  
 same performance and noise standards.

## High power



## Positioning



## More power, same easy installation.



# ..2.0

## Now a classic



### WITHOUT OUTDOOR UNIT

The outdoor unit is replaced by two holes of 162 mm.



### EASY INSTALLATION

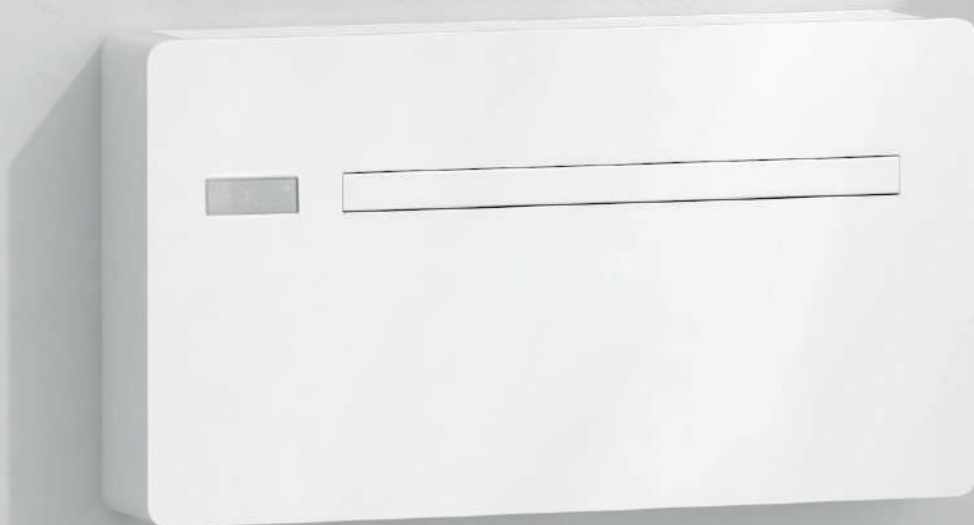
Monoblock unit without refrigerant connections during installation.



### REFRIGERANT GAS R32



### REMOTE CONTROL WITH INNOVAPP



## Beautiful, slim and silent

Too often air conditioning means installing bulky and unsightly condensing units outside buildings. ..2.0 is the INNOVA air conditioner without external unit designed to fit perfectly into existing domestic environments, offering excellent energy performance and almost disappearing from view to minimise aesthetic impact. The design has been studied in every detail to create a true furnishing object, slim and compact, where form follows function.

..2.0 can operate both for summer air conditioning and, in heat pump mode, for winter heating. All, in the same model, with maximum simplicity of installation.

### Simple and practical

The ..2.0 in its standard version is the ideal solution for most living contexts and for the most common domestic needs. Simplicity at your fingertips.

### Power range ..2.0

15 HP	-
12 HP	•
10 HP	•
9 HP	-
	..2.0



16,5 cm



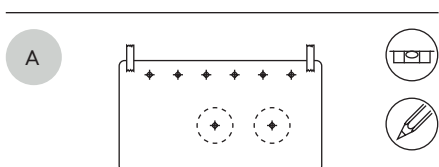
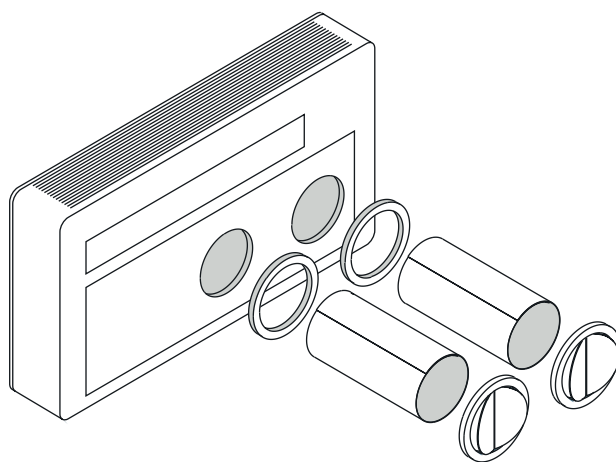
101 cm



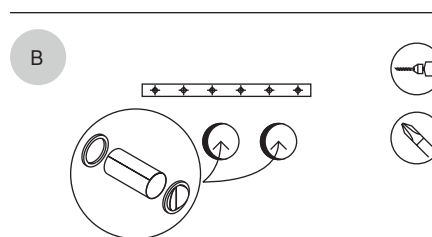
..2.0

## Easy installation

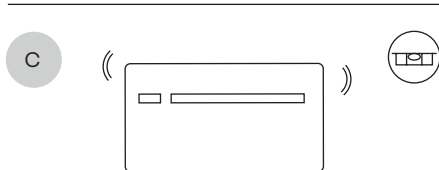
Minimum depth, the right colour, the perfectly smooth surface, the all-metal body... a product designed to fit perfectly into any environment.



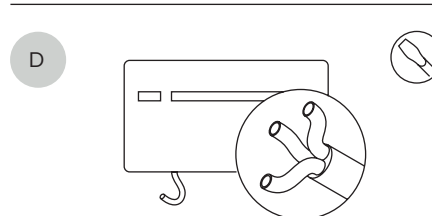
Put the template on the wall and mark the positions of the bracket support screws and the two hole centres.



Fix the bracket to the wall and insert the outdoor grilles, protection sheets and indoor counterflanges into the holes.



Place the unit on the bracket, checking for correct horizontal and vertical alignment.



Make the electrical and condensate drainage pipe connections for heat pump operation.





1

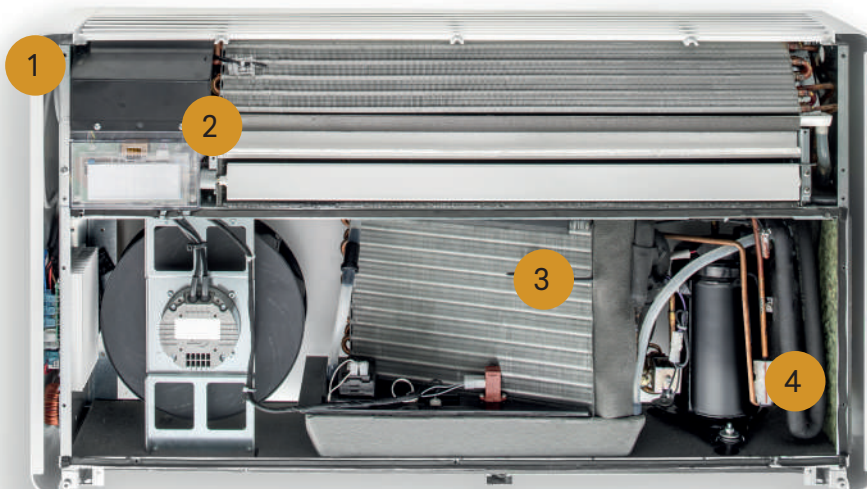
**FULLY METAL**

The body of ..2.0 is made entirely of metal, with all plastic parts removed. Strong and robust, ..2.0 is even more solid and consistent.

2

**TOUCH SCREEN DISPLAY + WIFI RECEIVER**

The large control panel allows you to select every operating parameter on board the machine - and also manage communication via WiFi.



3

**HIGH-EFFICIENCY CONDENSING COIL**

The condensing coil is high-efficiency with an evaporative condensation system for even better performance.

4

**HYPER-COMPACT DESIGN**

A hyper-compact body includes everything necessary for the perfect functioning of the product thanks to meticulous design and study work with the aim of reducing the size of each component and ensuring its perfect functioning.

# ..2.0 ELEC 2 kW

The ..2.0 supplemented by electrical resistance



#### WITHOUT OUTDOOR UNIT

The external unit is replaced by 2 holes of 162 mm for 12 HP and 202 mm for 15 HP.



#### DC INVERTER AND DUAL POWER

Maximum comfort with the lowest consumption and quietest operation.

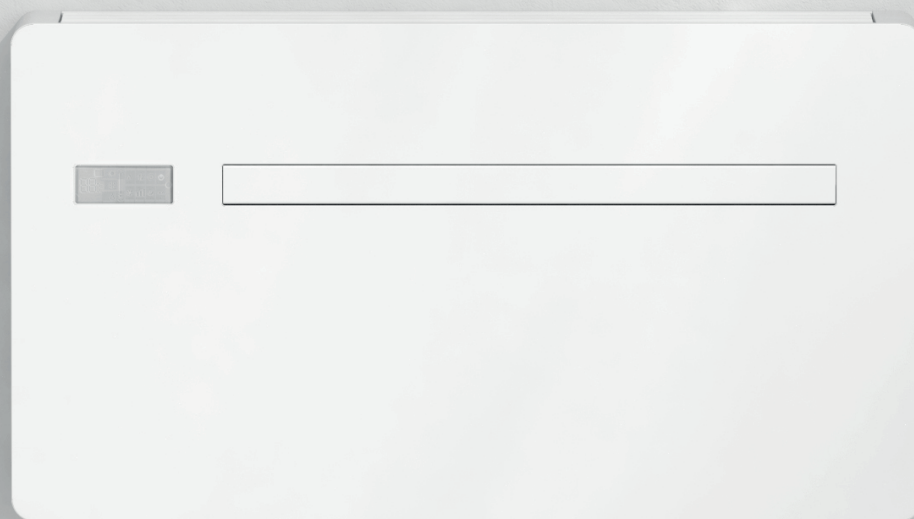


#### EASY INSTALLATION

Packaged units without refrigerant connections during installation.



#### REMOTE MANAGEMENT WITH INNOVAPP





## ..2.0 ELEC 2 kW, the ..2.0 with integrated electrical resistance

As with all heat pumps, heating performance decreases as the outside temperature falls. Often the need is for a product that maintains sufficient performance even at very low external temperatures.

In ..2.0 ELEC, the heat pump is integrated (and not replaced) by a 1800 W electric heater that intervenes automatically for very low outside temperatures or to heat very cold rooms quickly.

For this reason, ..2.0 ELEC can ensure a heating power of over 2 kW even at -7°C with an additional electrical absorption of 900 W or 1800 W compatible with the electrical power available in homes. ..2.0 ELEC thus becomes a true complete heating system even in particularly cold climates.

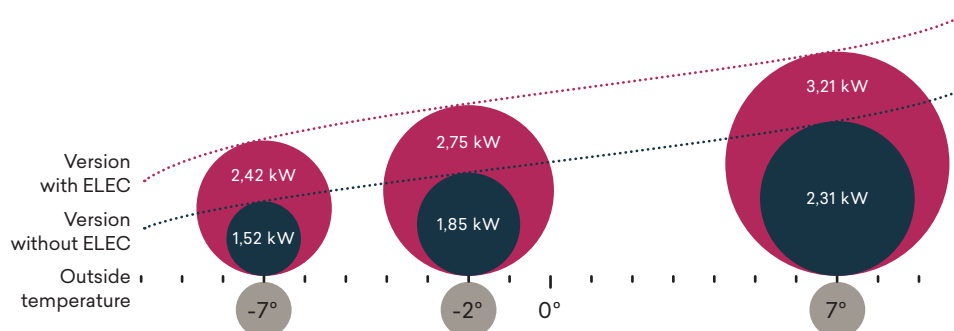
### Easy and practical

The ..2.0 ELEC 2 kW is the ideal solution for locations with particularly harsh climates. ..2.0 ELEC uses R32 refrigerant gas.

### Power range

15 HP	•
12 HP	•
10 HP	-
9 HP	-
..2.0 ELEC 2 kW	

### Heat output comparison (e.x. with 900 W resistor)



\*Data on maximum Dual Power heat output (model ..2.0 ELEC 2 kW - 12 HP).

# ..2.0 VERTICALE

The vertical version of ..2.0 ideal for when there's just no space.



#### WITHOUT OUTDOOR UNIT

The outdoor unit is replaced by two holes of 162 mm.



#### DC INVERTER AND DUAL POWER

Maximum comfort with the lowest consumption and quietest operation



#### IDEAL FOR SMALL SPACES

Narrow width of only 500 mm.

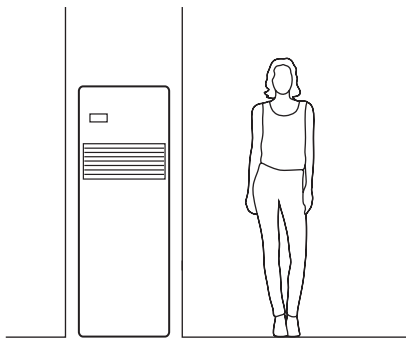


#### REMOTE CONTROL VIA APP

## The hyper-compact without an external unit

The vertical version of ..2.0 is just 500 mm wide and retains all the features of the standard model. It is the ideal solution for rooms where horizontal solutions are not permitted, for example between two windows or at an angle.

### Positioning



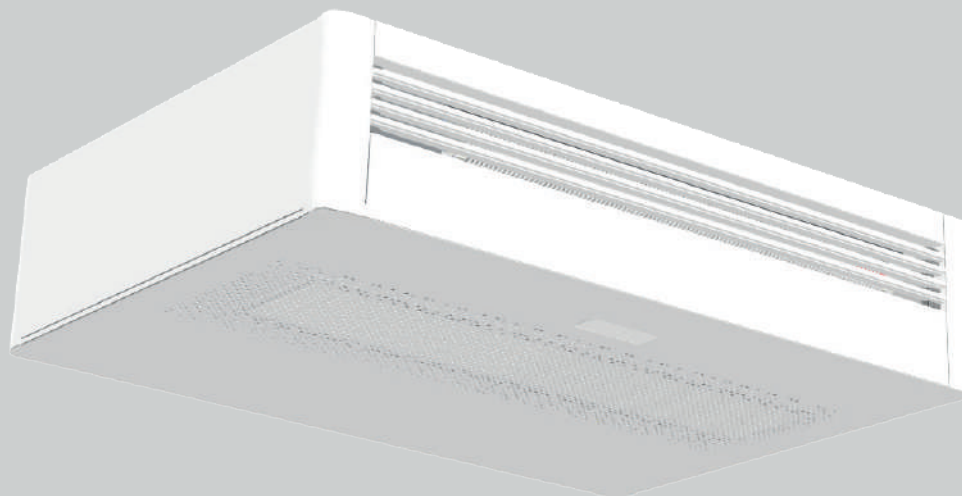
### Upward flow





# ..2.0 CEILING

Two holes, zero outdoor units



#### WITHOUT OUTDOOR UNIT

The outdoor unit is replaced by two 162 mm holes.



#### DC INVERTER AND DUAL POWER

Maximum comfort with the lowest consumption and quietest operation.



#### EASY INSTALLATION

Packaged units without refrigerant connections during installation.



#### REMOTE MANAGEMENT WITH INNOVAPP

## The air conditioner for ceiling installation

..2.0 Ceiling is INNOVA's new air-conditioner without external unit, with horizontal ceiling installation. It uses R32 refrigerant gas.

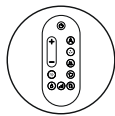
The height? Only 25.5 centimetres. Extremely slim. It is the ideal solution for all those living contexts where a standard wall installation is not possible.

..2.0 Ceiling is also available in an ELEC version with an additional electrical heating element. The electrical resistance can be set to 900 W or 1800 W.

### Simple and advanced controls



From the integrated touchscreen

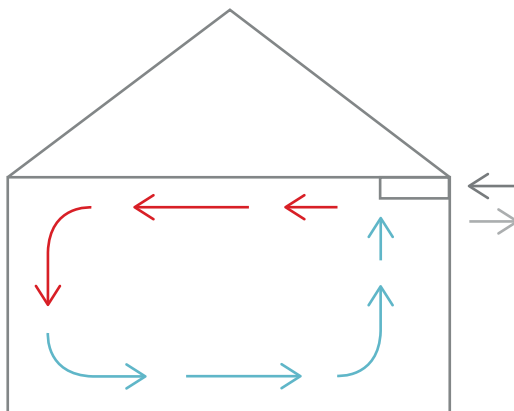


From remote control



From the App for iOS or Android

### Hot and cold in the same version



SENZA UNITÀ  
ESTERNA

# InnovApp

## Configure, manage and control all INNOVA devices

From summer to winter air conditioning, from heat pumps to fancoils, from VMC to radiant systems. InnovApp is the INNOVA application that allows customers to manage all elements of the home system with a simple touch, through their smartphone or tablet, from home or wherever they are.

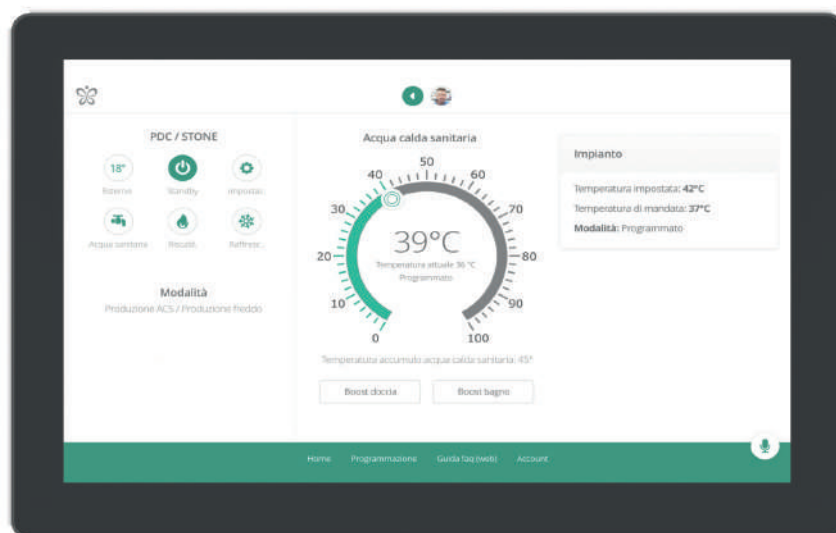
The InnovApp interface is easy and intuitive and allows you to create customised scenarios, set different temperatures in each room or for each ...2.0, fancoil or VMC, programming every detail of your home comfort.

### Remote and local management

Remote - PC / Smartphone / Tablet



Local - Butler



## Main functions

- **Supervision and control through local network or remote-ly**

The system can be managed through a smartphone, tab-let or computer

- **Summer and winter personalised programming**

Different programmes can be set for each season

- **Three temperature level setting on INNOVA fancoil net-work**

For each room or zone it is possible to select 3 different work temperatures, which can be modified at any time

- **Weekly time programming**

In each room it is possible to set different operating times

- **Network interface like the one on PCs**

The connection to the webserver is the same as that of a normal computer once the bus network between the heat pump and the fan coils has been established

- **Remote assistance**

With your consent, the ..2.0 can automatically log on to the INNOVA cloud for diagnostics and assistance when necessary

A

### WEEKLY SCHEDULING



B

### DOMESTIC HOT WATER SETTINGS



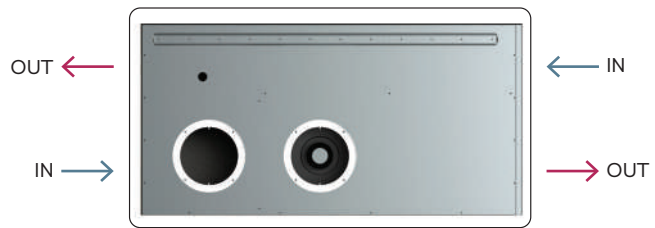
## Side installation kit

Air conditioners without outdoor unit are always installed on a perimeter wall in order to exchange air with the outside. In some cases this is not possible, the “outside” is lateral to the wall on which the unit is installed. With this new kit, to be embedded in the wall, the air flow is diverted laterally: it is therefore possible to install ..2.0 on the wall and have the air outlet on the side. This allows many new and unexpected installation possibilities!

A ..2.0 for wall mounting.

B Built-in side installation kit.

C Self foldable outdoor grills.







..2.0 e ..2.0 VERTICALE

# Accessory

## Kit of external grids with fixed fins.

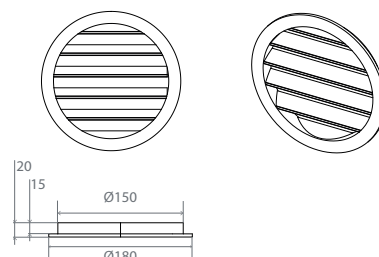
### Description

Accessory supplied on request, as an alternative to the folding grills provided. The grids with fixed fins are in aluminium they are pre-ferred for aesthetic reason or for painting needs.

### Codes

**GB0738II** for ..2.0 horizontal/vertical/ceiling

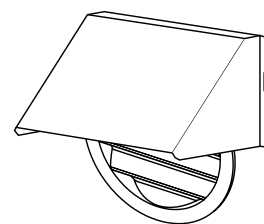
**GB1091II** for ..2.0 with holes from 202 mm



## Rain protection kit.

### Description

Top cover of holes for installation of the ..2.0 on walls exposed to rain and wind. Accessory supplied on request and applicable on external grids with fixed fins. The supply includes 2 covers, one for each grill. White RAL 9003.



### Functionality

The accessory, positioned in the upper part of the grilles, protects the hole from bad weather.

### Codes

**GB0739II** for ..2.0 horizontal/vertical/ceiling

## Insect protection kit.

### Description

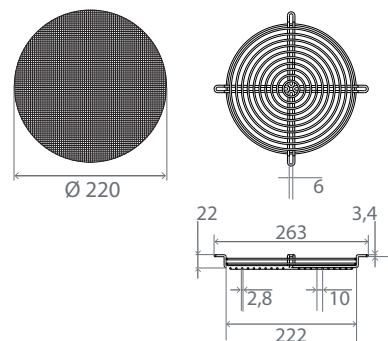
Kit consisting of:

- 1 metal mesh discs
- 1 grids in metal wire
- fixing screws and plugs

The accessory, installed above the grilles, further protects the holes avoiding the possible entry of insects or small materials.

### Codes

**GB0755II** for ..2.0 horizontal/vertical/ceiling



## Side exit formwork.

### Description

Flush-mounted formwork for corner installation with right-hand outlet.

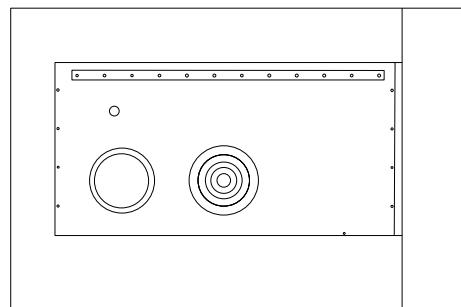
### Codes

**L00773II** for ..2.0 horizontal

Flush-mounted formwork for corner installation with left-hand outlet.

### Codes

**L00774II** for ..2.0 horizontal

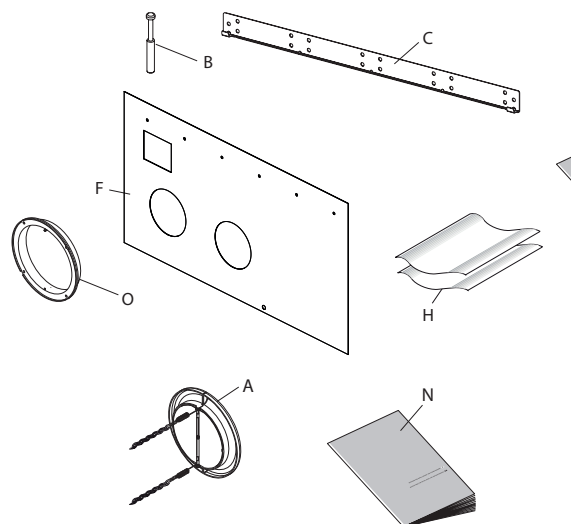


## Pre-installation kit.

### Description

Kit consisting of:

- 2 external grilles for air inlet and outlet including springs and chains (A)
- 6 crews and dowels kit (B)
- Wall fixing bracket (C)
- Paper template for drilling holes (F)
- 2 wall-mounted pipes (H)
- Installer manual (N)
- Counter-flange for internal wall (O)



### Functionality

This kit is used to prepare the space and holes for the fu-ture installation of the ..2.0. All components of this accessory are still included in the box at the time of purchase.

### Codes

**GB0671II** for ..2.0 horizontal with holes from 162 mm  
**GB1092II** for ..2.0 Maxi 15 HP with holes from 202 mm  
**GB1109II** for ..2.0 MINI 9 HP with holes from 162 mm

## UV-C lamp kit

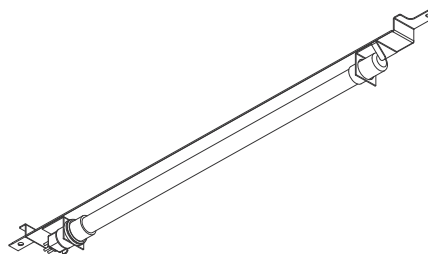
### Description

Air sterilisation device with UV-C lamp, which can only be combined with the 12 HP DC Inverter size of the ..2.0 horizontal.

Factory installed and tested accessory.

### Codici

**GB1104II** per ..2.0 horizontal  
**GR1232II** Replacement UV-C lamp kit for ..2.0 horizontal



## Kit for installation on glass walls.

### Description

Kit consisting of:

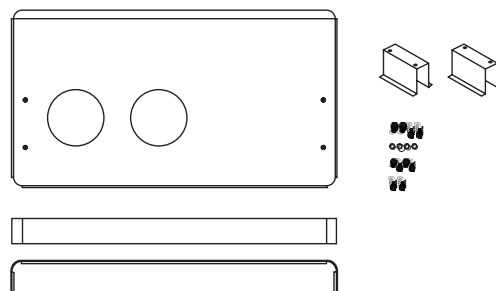
- 1 aesthetic backrest colour white RAL 9003
- 2 ..2.0 floor mounting brackets
- 1 front cover plinth floor fixing brackets RAL 9003
- Fixing screws and nuts

### Functionality

The accessory provides an aesthetic function in installations where the reverse side of the unit is visible, for example when it is placed behind a display case.

### Codes

**GB0740II** for ..2.0 horizontal



---

## Aesthetic kit lower side cover.

### Description

The lower side cover is made of galvanised sheet metal painted in the same colour as the unit.

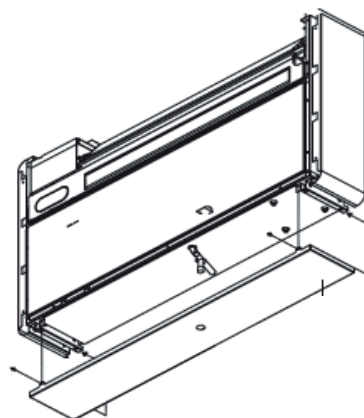
### Functionality

The accessory has an aesthetic function in installations where the lower part of the luminaire is visible, such as overhead installations.

### Codes

**GB0737II** for ..2.0 horizontal

**GB1105II** for ..2.0 MINI



# Electronic controllers for ..2.0

NEW

## Display Touch Screen

Supplied as standard on board.



- Interface:**
- Touch interface
  - Modulating fan speed

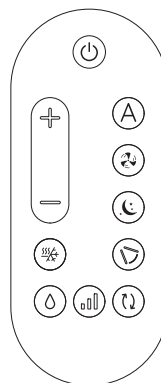
 WiFi connection

- Funzionalità:** All mode settings, temperature and special functions  
Different operating modes: cooling only, dehumidification only, ventilation only, heating only.

NEW

## Remote control

Supplied as standard.



- Possibility to control the airflow direction
- Fan speed control

NEW

## M7 series wall control



Cod:  
**EEB749II**

- PI Logic
- Touch interface
- Modulating fan speed
- Cable connection
- Control up to 16 units

Simplified operation with basic control and unit setting functions

- Seasonal setting
- Set point temperature
- Ventilation speed



# Data Sheets

## ..2.0

Models	u.m.	..2.0 MINI	..2.0				..2.0 ELEC 2 kW	
		9 HP	10 HP	12 HP	15 HP	12 HP	15 HP	

### Cooling performance (A 35 °C; A 27 °C)

Maximum cooling capacity Dual Power	(1)	kW	2,35	2,64	3,10	3,50	3,10	3,50
Nominal cooling power	(1)	kW	1,73	2,09	2,33	2,87	2,33	2,87
Minimum Cooling Capacity	(1)	kW	0,70	0,83	0,92	1,40	0,92	1,40
Dehumidification capacity		L/h	0,7	0,8	0,9	1,2	0,9	1,2
Total input power		kW	0,57	0,64	0,72	1,04	0,72	1,04
EER			3,01	3,29	3,25	2,74	3,25	2,74
Classe di efficienza energetica (Dir. 626/2011)	(2)		A	A+	A+	A	A+	A
SEER			4,60	4,70	4,60	4,10	4,60	4,10
Energy efficiency class (EN 14825)	(3)		B	A	B	C	B	C

### Heating performance (A 7 °C; A 20 °C)

Maximum heat output Dual Power	(4)	kW	2,40	2,64	3,05	3,50	3,05	3,50
Nominal heat power	(4)	kW	1,71	2,08	2,31	2,75	2,31	2,75
Electric heater additional power		kW	-	-	-	-	0,90/1,80	0,90/1,80
Minimum heat output	(4)	kW	0,75	0,71	0,79	1,35	0,79	1,35
Total absorbed power	(4)	kW	0,54	0,63	0,71	0,88	0,71	0,88
COP			3,15	3,31	3,28	3,12	3,28	3,12
Energy efficiency class (Dir. 626/2011)	(2)		A	A+	A+	A	A+	A
SEER			3,70	3,80	3,70	3,40	3,70	3,40
Energy efficiency class (EN 14825)	(3)		A	A	A	A	A	A

### Electrical data

Total input power		kW	0,90	0,95	1,06	1,45	1,96 (7)	2,35 (7)
Maximum absorbed current		A	3,90	4,10	4,60	6,30	8,52	10,22
Tension		V/ph/Hz	230/1/50	230/1/50	230/1/50	230/1/50	230/1/50	230/1/50

### Internal aeraulic data (5)

Ventilation speed	(6)	Nr.	3+2	3+2	3+2	3+2	3+2	3+2
-------------------	-----	-----	-----	-----	-----	-----	-----	-----

### General features

Maximum indoor air flow rate		m <sup>3</sup> /h	360	380	400	450	400	450
Maximum external air flow rate		m <sup>3</sup> /h	430	460	480	550	480	550
Average indoor air flow rate		m <sup>3</sup> /h	300	310	320	350	320	350
Average outside air flow rate		m <sup>3</sup> /h	360	380	390	460	390	460
Minimum indoor air flow rate		m <sup>3</sup> /h	240	260	270	300	270	300
Minimum external air flow rate		m <sup>3</sup> /h	320	330	340	400	340	400
Compressor type			Rotary - DC Inverter					



		..2.0 MINI	..2.0			..2.0 ELEC 2 kW	
Models	u.m.	9 HP	10 HP	12 HP	15 HP	12 HP	15 HP

**Sound data**

Nominal sound pressure	(7)	dB(A)	39	39	41	43	41	29
Minimum sound pressure	(7)	dB(A)	27	26	27	29	27	29

**Refrigerant gas data**

Refrigerant			R290	R32	R32	R32	R32	R32
Refrigerant charge		Kg	0,14	0,50	0,50	0,50	0,50	0,50

**Product dimensions and weights**

Width		mm	810	1010	1010	1010	1010	1010
Height		mm	549	549	549	549	549	549
Depth		mm	165	165	165	165	165	165
Empty weight		kg	38,0	41,0	41,0	41,0	41,0	41,0
Wall hole diameter		mm	162	162	162	202	162	202
Wall hole spacing		mm	293	293	293	293	293	293

- (1) Outdoor air temperature 35°; relative humidity 41%. Ambient air temperature 27°C; relative humidity 47%. Performance according to EN 14511  
(2) Energy classification according to Directive 626/2011 - Valid for fiscal deductions  
(3) Energy classification according to Directive EN 14825:2022  
(4) Outdoor air temperature 7 °C; relative humidity 87% / Ambient temperature 20 °C, relative humidity 59% / Performance according to EN 14511  
(5) Efficiency according to EN 13141-7. Indoor temperature 20 °C - Indoor humidity 28% - Outdoor temperature 7 °C - Outdoor humidity 72%.  
(6) 3 manual speeds plus automatic speed plus Boost  
(7) The data are shown with one resistor enabled (900W), as set by the factory. If the second resistor is enabled, the power must be increased by a further 900 W

**Operating limits::**

Min. cooling temperature T environment 18°C / T external -5°C  
Max. cooling temperature T environment 32°C / T external 43°C  
Min. heating temperature T environment 5°C / T external -15°C (- 25 °C for ELEC versions)  
Max. heating temperature T environment 25 °C / T external 18 °C

# Data Sheets

## ..2.0 Vertical / ..2.0 Ceiling

Models	u.m.	..2.0 VERTICAL		..2.0 CEILING	
		10 HP	12 HP	12 HP	12-ELEC

### Cooling performance (A 35 °C; A 27 °C)

Maximum cooling capacity Dual Power	(1)	kW	2,60	3,11	3,05	3,05
Nominal cooling power	(1)	kW	2,04	2,35	2,25	2,25
Minimum Cooling Capacity	(1)	kW	0,81	0,92	1,10	1,10
Dehumidification capacity		L/h	0,8	0,9	0,90	0,90
Total input power		kW	0,75	0,85	0,70	0,70
EER			2,72	2,75	3,21	3,21
Energy efficiency class	(2)		A	A	A	A

### Heating performance (A 7 °C; A 20 °C)

Maximum heat output Dual Power	(3)	kW	2,64	3,05	3,00	3,00
Nominal heat power	(3)	kW	2,10	2,36	2,21	2,21
Minimum heat output	(3)	kW	0,68	0,79	0,94	0,94
Additional power heating element		kW	-	-	-	0,90/1,80
Total absorbed power	(3)	kW	0,67	0,75	0,70	0,70
COP			3,10	3,15	3,16	3,16
Energy efficiency class			A	A	A	A

### Electrical data

Total input power		kW	0,95	1,06	1,15	2,05
Maximum absorbed current		A	4,40	4,80	5,10	9,00
Tension		V/ph/Hz	230/1/50	230/1/50	230/1/50	230/1/50

### Internal aeraulic data (4)

Ventilation speed		Nr.	3	3	-	-
-------------------	--	-----	---	---	---	---

### General features

Maximum indoor air flow rate		m <sup>3</sup> /h	380	400	420	420
Maximum external air flow rate		m <sup>3</sup> /h	460	480	540	540
Average indoor air flow rate		m <sup>3</sup> /h	310	320	350	350
Average outside air flow rate		m <sup>3</sup> /h	380	390	450	450
Minimum indoor air flow rate		m <sup>3</sup> /h	260	270	280	280
Minimum external air flow rate		m <sup>3</sup> /h	330	340	360	360
Compressor type			Rotary - DC Inverter		Rotary - DC Inverter	



Modelli	u.m.	..2.0 VERTICALE		..2.0 CEILING	
		10 HP	12 HP	12 HP	12-ELEC

**Sound data**

Nominal sound pressure	(5)	dB(A)	41	43	-	-
Minimum sound pressure	(5)	dB(A)	28	29	-	-

**Room-side sound levels (UNI EN 3741; 3744) (6)**

Sound power transmitted to the structure Lw		dB(A)	-	-	62,0	62,0
Average sound pressure at 1 m Lp		dB(A)	-	-	48,0	48,0
Average sound pressure at 3 m Lp		dB(A)	-	-	40,0	40,0

**Refrigerant gas data**

Type of refrigerant			R410a	R410a	R32	R32
Refrigerant quantity		Kg	0,56	0,56	0,50	0,50

**Product dimensions and weights**

Width		mm	500	500	1053	1053
Height		mm	1398	1398	255	255
Depth		mm	185	185	740	740
Empty weight		Kg	57,0	57,0	69,0	69,0
Wall hole diameter		mm	162	162	162	162
Hole spacing on wall		mm	293	293	-	-

- (1) Outdoor air temperature 35°; relative humidity 41%. Ambient air temperature 27°C; relative humidity 47%. Performance according to EN 14511  
(2) Energy classification according to directive 626/2011  
(3) Outdoor air temperature 7 °C; relative humidity 87% / Ambient temperature 20 °C, relative humidity 59% / Performance according to EN 14511  
(4) Efficiency according to EN 13141-7. Indoor temperature 20 °C - Indoor humidity 28% - Outdoor temperature 7 °C - Outdoor humidity 72%.  
(5) System-side sound pressure in semi-anechoic chamber at a distance of 2 m measured according to ISO 7779  
(6) Data according to EN 3741 and EN 3744











Talca, Chile -  
Buildings for  
residential and  
tertiary use

Hotel Rio Garni, Svizzera  
Villa of the 19th century



## CREDITS

Product Designer  
Luca Papini  
Art Direction & Graphic  
Osmo Design  
Photography  
Ottavio Tomasini  
Special thanks to:  
Akira Nishikawa

© All rights reserved -  
photographs, images  
and texts are protected  
by copyright, any total or  
partial use not explicitly  
authorised by INNOVA  
will result in consequent  
sanctions.  
INNOVA reserves the  
right to make changes at  
any time to its products,  
accessories and technical  
data in order to improve  
its offer.



Pistoia, Tuscany - Cottages Borgo dei Gigli







Ideas,  
products,  
people.





**INNOVA s.r.l.**  
Via 1° Maggio, 8  
38089 Storo (Tn)  
Tel. +39 0465 670104  
Fax: +39 0465 674965  
[info@innovaenergie.com](mailto:info@innovaenergie.com)

[innovaenergie.com](http://innovaenergie.com)

Edizione 2024/1