

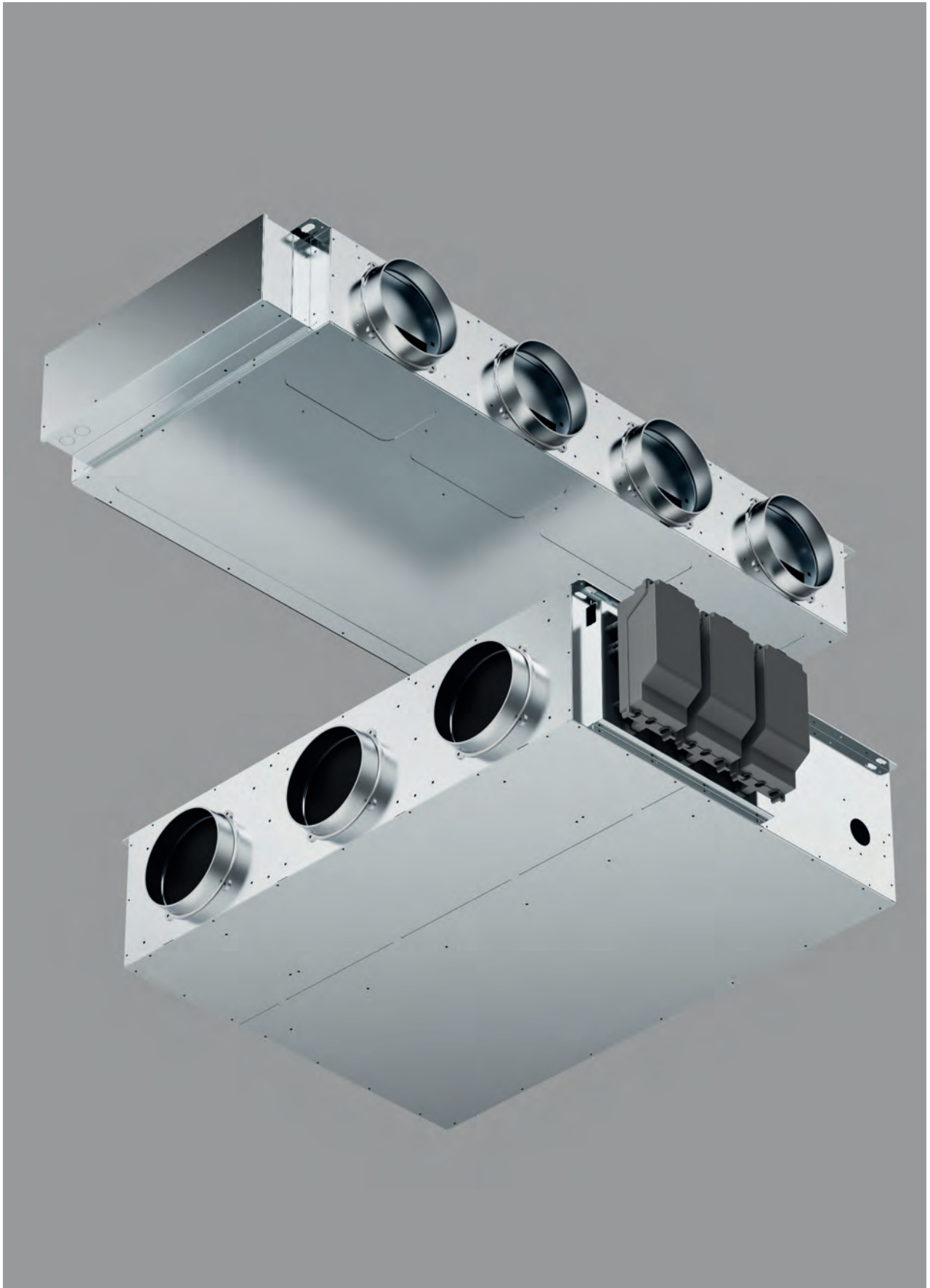


# DUCTO

The ductable  
fancoils



**Variable speed,  
constant air flow.**



DUCTO MULTI e DUCTO MULTI THIN



DUCTO MULTI THIN



# DUCTO the ductabl fancoil

**Ductable fancoils for top  
comfort and advanced silence  
thanks to the intelligent flow  
that modulates speed depending  
on air resistance.**

INNOVA's wide range of ducted fancoils is enriched with new versions, offering a greater variety of options to meet different air conditioning needs.

In addition to the classic DUCTO versions, the intelligent and silent ducted fancoil, ideal for horizontal and vertical recessed installations, and DUCTO MULTI, the multi-zone ducted version. An extremely high-efficiency solution that, thanks to integrated multi-zone management and the use of forward-bladed centrifugal Brushless EC multi-fans, ensures constant air flow while offering maximum comfort, allowing independent management of the various thermal zones.

Today, the range evolves further by becoming THIN, lowered to fit perfectly in any space, offering an even more versatile option than the classic versions.



DUCTO MULTI





# The versions



## DUCTO e DUCTO THIN

DC Inverter fan coil unit with centrifugal fans for horizontal and vertical recessed installation. Plumbing connections. 3/4 " EK, standard right on same side as electrical connections. Factory flanged aeraulic connections.

Suitable for:  
new construction and redevelopment







## DUCTO MULTI e DUCTO MULTI THIN

Horizontal DC Inverter fan coil unit for ceiling or concealed installation, with built-in multi-zone management.

3/4 " EK plumbing connections, right side standard. Female aeraulic connections with M/M adapter supplied. Electrical connections standard on the left.

Suitable for:  
new construction and redevelopment

# DUCTO e

# DUCTO THIN



#### THIN

Even thinner in the THIN version  
Height only 185 mm.



#### MODULATED AIRFLOW



#### DC INVERTER

Maximum comfort with the  
lowest consumption.



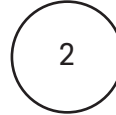
#### NOISELESS

Centrifugal fan with single-  
motor impeller.

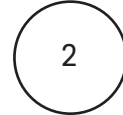
# The smart fancoil

DUCTO (SLC) and DUCTO THIN (SLC THIN) are INNOVA's ultra-high-efficiency ducted fancoils that automatically adjust the fan speed to ensure a constant airflow rate and consequently constant comfort over time.

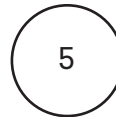
The fancoils fit perfectly into any wall or false ceiling with horizontal and vertical installation. Extreme quietness makes them the ideal model for any type of home.



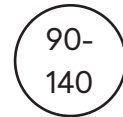
**Configurations**  
M7 series wall controls or  
0-10 V connection



**Versions**  
Classic or lowered with  
vertical or horizontal  
installation



**Model**  
400 / 600 / 800  
1000 / 1200



Useful prevalence  
(Pa)

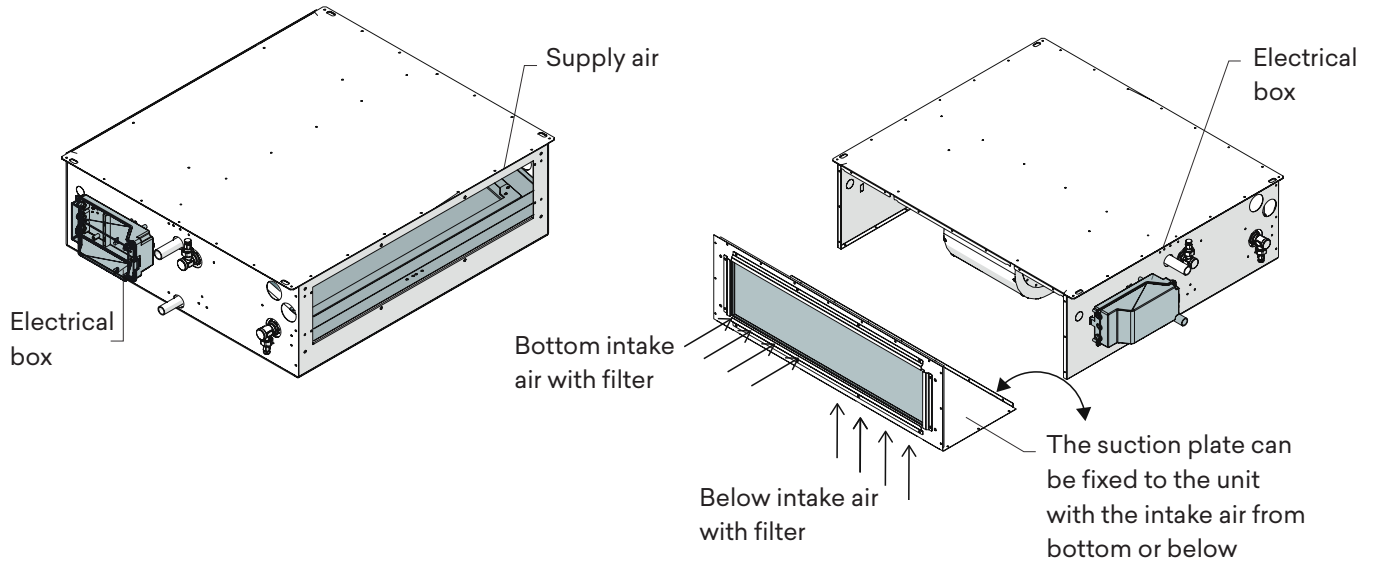


MODEL	DUCTO					DUCTO THIN				
	400	600	800	1000	1200	400	600	800	1000	1200
L (mm)	590	790	990	1190	1440	590	790	990	1190	1440
P (mm)	695	695	695	695	695	575	575	575	575	575
H (mm)	240	240	240	240	240	185	185	185	185	185

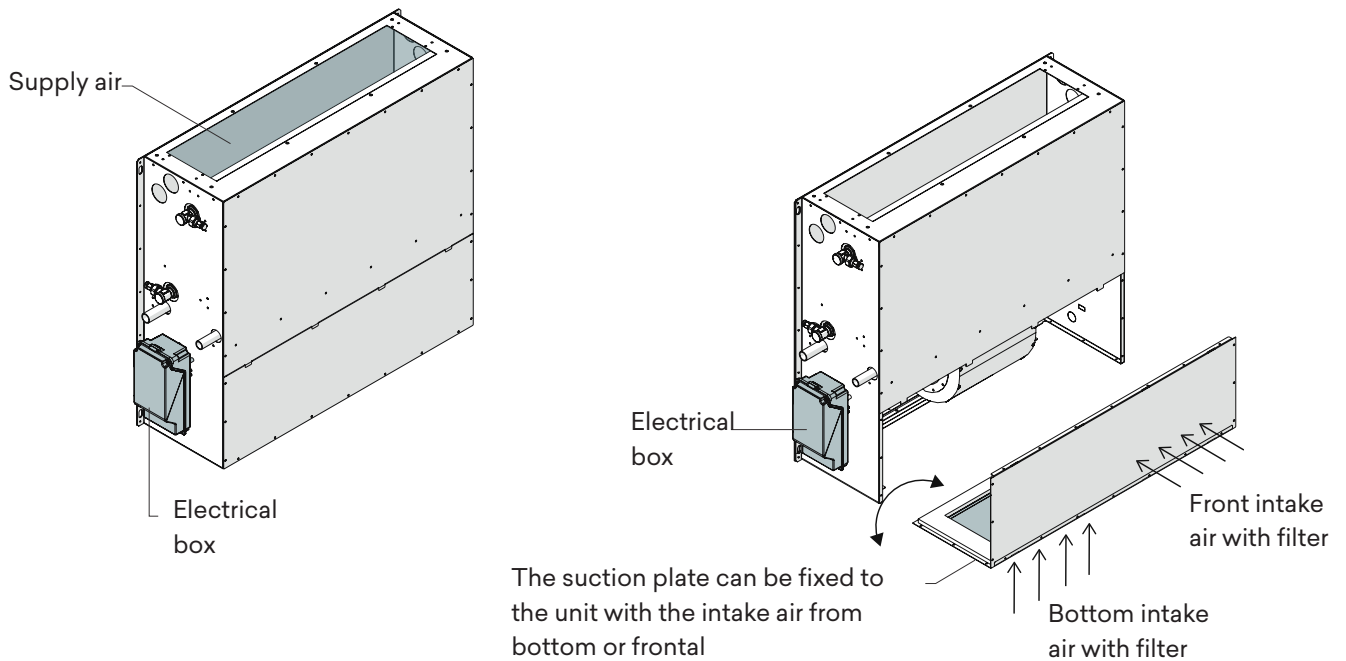
# DUCTO e DUCTO THIN

A single product suitable for any installation.

## HORIZONTAL INSTALLATION



## VERTICAL INSTALLATION



1

### Fans

The unit is equipped with single motor centrifugal fans for each impeller. Low consumption DC inverter motor and integrated control that guarantees a constant flow rate.

2

### Heat exchanger

Copper aluminium Water to air heat exchanger with hydrophilic treatment fins.

3

### Electrical box

Electrical box excluded from the air flow, with electronic main board control.



4

### Reversible suction plate with air filter

The suction plate can be fixed to the unit with the intake air from bottom or below. Filtration class ISO Coarse 80%.

5

### Vertical Condensate tray

Allows the collection of condensate if the unit is installed vertically.

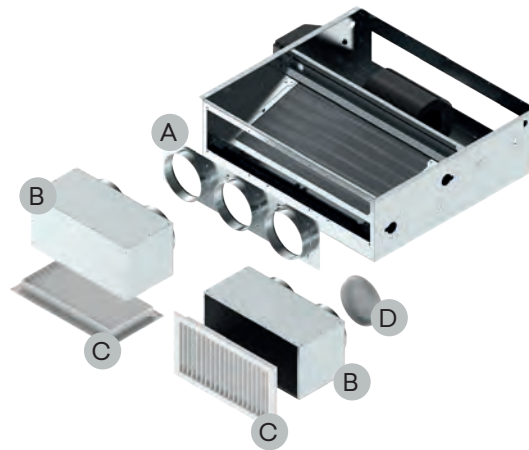
6

### Horizontal Condensate tray

Allows the collection of condensate if the unit is installed horizontally

# Configuration options

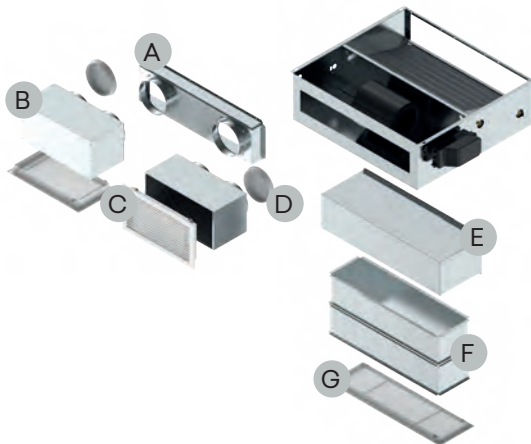
## AIR SUPPLY ACCESSORIES



- A** Delivery plate with DN 160 mm circular ports.
- B** Insulated plenum for supply/return with two DN 160 mm inlets and grid connection.
- C** Aluminum delivery grille with double row of adjustable fins.
- D** Cap.

## AIR INTAKE ACCESSORIES

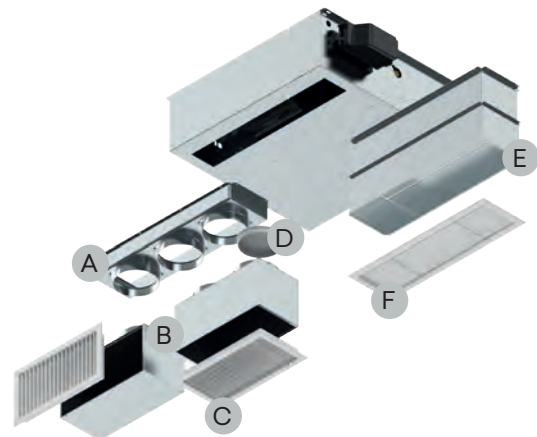
(configuration A)



- A** Take-up plate with circular inlets DN 160 mm.
- B** Insulated plenum for supply/return with two DN 160 mm ports and grid connection.
- C** Suction grid with removable aluminum filter.
- D** Cap.
- E** 90° air intake plenum kit.
- F** Telescopic kit for rear suction.
- G** Grid for telescopic kit.

## AIR INTAKE ACCESSORIES

(configuration B)



- A** Take-up plate with circular inlets DN 160 mm.
- B** Insulated plenum for supply/return with two DN 160 mm ports and grid connection.
- C** Suction grid with removable aluminum filter.
- D** Cap.
- E** Telescopic kit for rear suction.
- F** Grid for telescopic kit.



# Electronic controls



## Electronic board with continuous modulation for wall control connection M7 series

(Factory installed and tested control)

- PI Logic
- Touch interface
- Modulating speed
- Control up to 16 units
- RS485 modbus port for BUTLER or BMS connection



cod:  
**EEB749II**



cod:  
**EFB749II**

Ordered separately

There is a programmable digital input for window contact or remote summer/winter changeover

## For remote input connection 0-10V

(Factory installed and tested control)

All thermoregulation and control is handled by an external device (including water probe and valve activation)

The fan speed can be managed with any kind of algorithm through the 0-10 V signal



Input  
analog 0-10 V

# Technical data sheets

		DUCTO					DUCTO THIN				
MODELS	u.m.	400	600	800	1000	1200	400	600	800	1000	1200
<b>FANCOIL AERAULIC PERFORMANCE</b>											
Maximum air flow rate	m <sup>3</sup> /h	390	560	730	905	1150	290	390	550	680	870
Average air flow rate	m <sup>3</sup> /h	260	350	440	550	750	200	290	390	450	610
Minimum air flow rate	m <sup>3</sup> /h	120	180	240	260	280	90	140	190	230	250
Useful prevalence	Pa	90	130	110	140	140	100	90	120	110	140
<b>HEATING PERFORMANCES (W 45/40; A 20) (1)</b>											
Total power output	kW	1,98	2,54	3,45	4,46	6,20	1,65	2,10	2,86	3,71	5,20
Water flow rate	L/h	390,00	550,00	670,00	910,00	1100,00	310,00	440,00	540,00	730,00	880,00
Pressure drop	kPa	12,25	21,45	2,92	18,37	19,00	6,00	9,00	18,00	13,00	15,00
Maximum power consumption	W	24	21	34	38	85	21	25	29	33	70
Maximum sound power	dB(A)	58	58	57	58	60	53	58	58	60	61
<b>COOLING PERFORMANCES (W 7/12; A 27) (2)</b>											
Total power output	kW	1,88	2,14	2,97	3,48	5,90	1,40	2,10	2,60	3,30	4,45
Sensible power output	kW	1,48	1,56	2,92	2,95	5,00	1,05	1,50	2,10	2,45	3,20
Water flow rate	L/h	330,00	520,00	600,00	760,00	1000,00	270,00	405,00	510,00	610,00	805,00
Pressure drop	kPa	15,66	19,36	2,93	14,00	16,00	5,00	8,00	17,00	11,00	14,00
Maximum power consumption	W	24	21	34	38	85	21	25	29	33	70
Maximum sound power	dB(A)	58	58	57	58	60	53	58	58	60	61
<b>Room side fan</b>											
Type		Ec Brushless centrifugal forward curved fan									
Number	Nr.	1	1	2	2	3	1	1	2	2	3
Maximum absorbed current	A	0,37	0,65	0,74	0,74	1,04	0,35	0,62	0,71	0,71	1,02
Maximum power consumption	W	85	150	170	170	240	80	140	160	160	230
<b>Room-side sound levels (uni en 3741; 3744) (3)</b>											
Sound power transmitted to the structure L <sub>w</sub>	dB(A)	55,0	59,0	60,0	62,0	63,0	53,0	58,0	58,0	60,0	60,0
Radiated sound power in the channel L <sub>w</sub>	dB(A)	59,0	64,0	68,0	69,0	71,0	57,0	63,0	66,0	68,0	69,0
Average sound pressure at 1 m L <sub>p</sub>	dB(A)	43,0	46,0	48,0	49,0	50,0	41,0	45,0	46,0	48,0	49,0
Average sound pressure at 3 m L <sub>p</sub>	dB(A)	37,0	38,0	40,0	41,0	42,0	35,0	37,0	38,0	40,0	41,0



MODELS	u.m.	DUCTO					DUCTO THIN				
		400	600	800	1000	1200	400	600	800	1000	1200
<b>Heat exchanger (W 7; W 12) (4)</b>											
Battery water content	L	0,80	1,13	1,46	1,80	2,14	0,80	1,13	1,46	1,80	2,14
Maximum working pressure	bar	10	10	10	10	10	10	10	10	10	10
<b>Electrical characteristics</b>											
Power supply	V/ph/Hz	230 / 1 / 50									
Total maximum power consumption	W	85	150	170	170	240	80	140	160	160	230
Total absorbed current	A	0,70	1,30	1,30	1,50	1,90	0,65	1,22	1,40	1,40	1,80
Degree of protection	IP	X0	X0	X0	X0	X0	X0	X0	X0	X0	X0
<b>Product dimensions and weights</b>											
Total width	mm	590	790	990	1190	1440	590	790	990	1190	1440
Total height	mm	695	695	695	695	695	575	575	575	575	575
Total depth	mm	240	240	240	240	240	185	185	185	185	185
Net weight	kg	32,0	43,0	47,0	56,0	67,0	30,0	41,0	45,0	54,0	65,0
<b>Connections</b>											
Condensate drainage connection	mm	20	20	20	20	20	20	20	20	20	20
Hydraulic connections	"EK	3/4"	3/4"	3/4"	3/4"	3/4"	3/4"	3/4"	3/4"	3/4"	3/4"
Intake air connection (base x height)	mm	460 x 150	660 x 150	860 x 150	1060 x 150	1320 x 150	460 x 100	660 x 100	860 x 100	1060 x 100	1320 x 100
Return air connection (base x height)	mm	510 x 150	710 x 150	910 x 150	1110 x 150	1370 x 150	510 x 100	710 x 100	910 x 100	1110 x 100	1370 x 100

(1) Coil water temperature 45/40 °C; Ambient air temperature 20 °C (EU regulation 2016/2281) - maximum speed and useful head 0 Pa

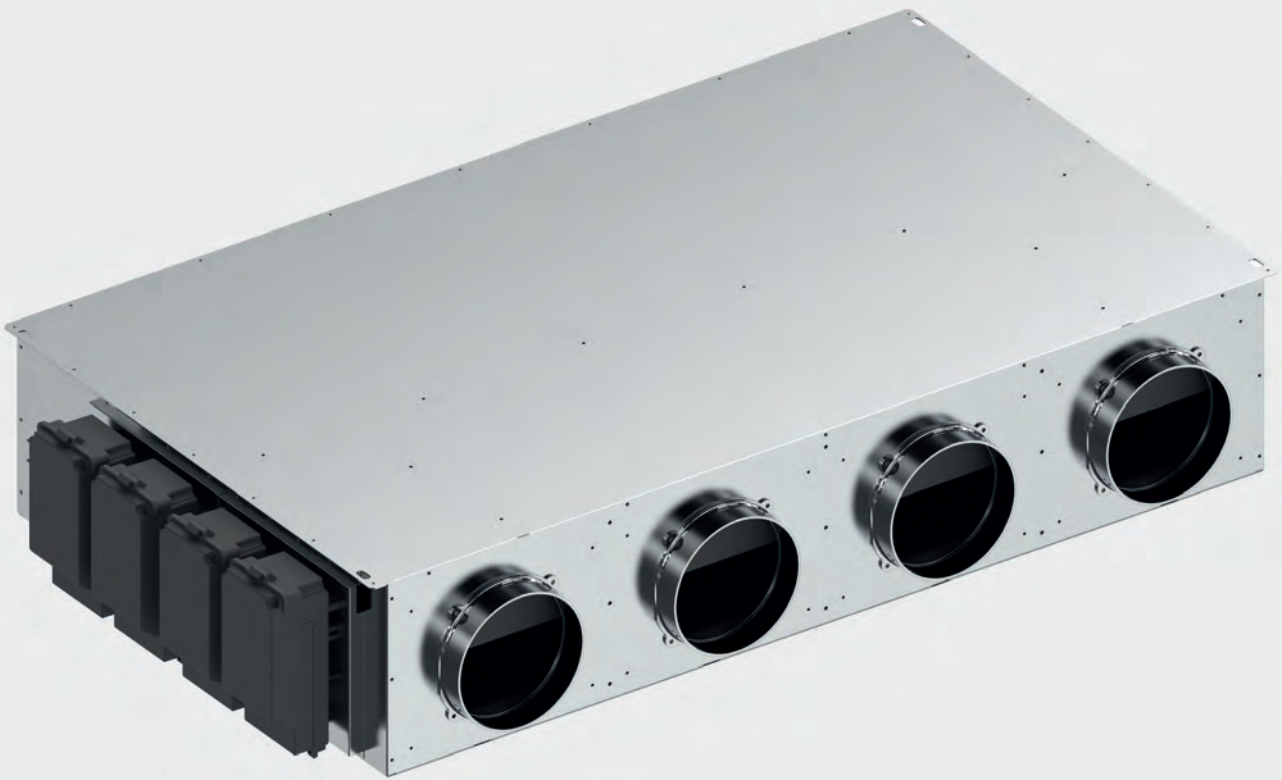
(2) Coil water temperature 7/12 °C; Ambient air temperature 27 °C b.s. and 19° C b.u. (EU regulation 2016/2281) - maximum speed and useful head 0 Pa

(3) Data referred to the standard UNI EN 3741 e UNI EN 3744

(4) Flow water temperature 7 °C; Return water temperature 12 °C

# DUCTO MULTI e

# DUCTO MULTI THIN



#### THIN

Even thinner in the THIN version  
Height only 185 mm.



#### MULTI-ZONE MANAGEMENT

Centrifugal fan with single-  
motor impeller.



#### DC INVERTER

Maximum comfort with the  
lowest consumption.



#### NOISELESS

Centrifugal fan with motor  
integrated into the impeller

# the intelligent fancoil with integrated multi-zone management.

DUCTO MULTI (SLC+) is the new high-efficiency ductable fancoil which, through integrated multi-zone management and the use of specific BLDC Brushless multi fans for each zone, allows the independent management of the different thermal zones.

Differently from traditional zoning systems, DUCTO MULTI works with direct control over the air flow rate of individual rooms, which translates into advantages in terms of efficiency, comfort and noisiness.

2

**Configurations**  
0-10 V or modulating control

4

**Models**  
600 / 800  
1000 / 1200

2

**Versions**  
Classic or lowered

100

**Useful pressure**  
(Pa)

2 - 5

Number of zones  
(Independent fans)



MODEL	DUCTO MULTI				DUCTO MULTI THIN			
	600	800	1000	1200	600	800	1000	1200
L (mm)	790	990	1190	1440	790	990	1190	1440
P (mm)	695	695	695	695	575	575	575	575
H (mm)	240	240	240	240	185	185	185	185

# A single product for multi-zone comfort management.

DUCTO MULTI works with direct control over the air flow rate of individual rooms, which results in advantages in efficiency, comfort, and quietness. Less vibration, more silence.



1

## Delivery plate

Delivery plate connected to the standard unit, no. of inlets depending on size.

### No. of inlets depending on size:

SLC+ 600: 2 connections DN 160 mm  
SLC+ 800: 3 connections DN 160 mm  
SLC+ 1000: 4 connections DN 160 mm  
SLC+ 1200: 5 connections DN 160 mm

2

## Fans

Integrated multi-fans for independent management of the different zones.

3

## Horizontal Condensate tray

Allows the collection of condensate if the unit is installed horizontally.



## INSTALLATION WITH SINGLE OUTPUT ZONE COMBINATION

Example:  
3 sends for 3 separate zones



## INSTALLATION WITH MULTIPLE OUTLET ZONE COMBINATION

Example:  
3 sends for 2 separate zones.  
Zone 1 with dual channel  
Zone 2 with single channel



1

### Fans

The unit is equipped with single motor centrifugal fans for each impeller. Low consumption DC inverter motor and integrated control that guarantees a constant flow rate.

2

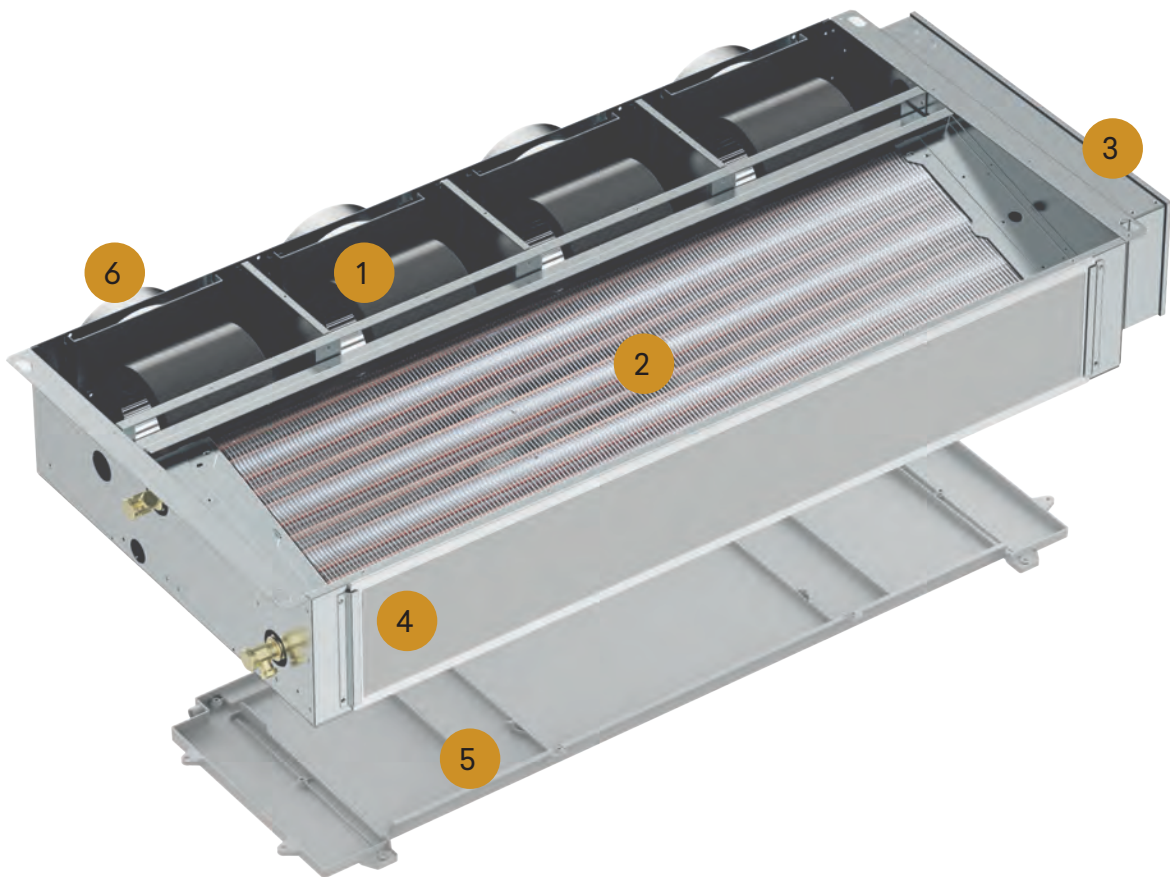
### Heat exchanger

Copper aluminium Water to air heat exchanger with hydrophilic treatment fins.

3

### Electrical box

Electrical box excluded from the air flow, with electronic main board control.



4

### Suction plate with air filter

The suction plate can be fixed to the unit with the intake air from bottom or below. Filtration class ISO Coarse 80%.

(Accessory to be ordered separately).

5

### Condensate tray

Allows the collection of condensate through the plastic tray.

6

### Integrated supply plenum with circular outlets

Circular discharge outlets DN 160, facilitate installation and simplify air connections.

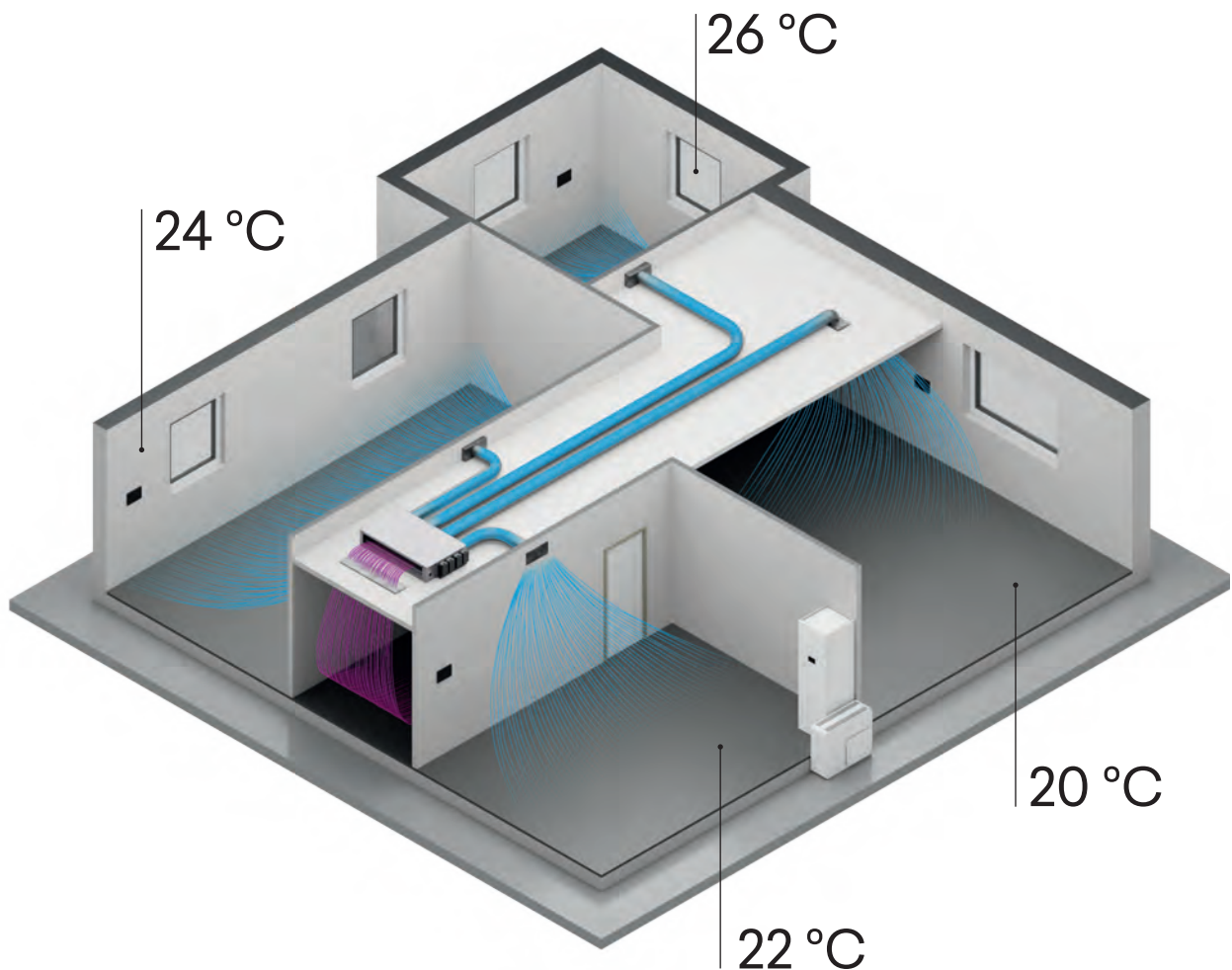


# Multi-fans for multi-zone management.

## THERMALLY INDEPENDENT ZONES

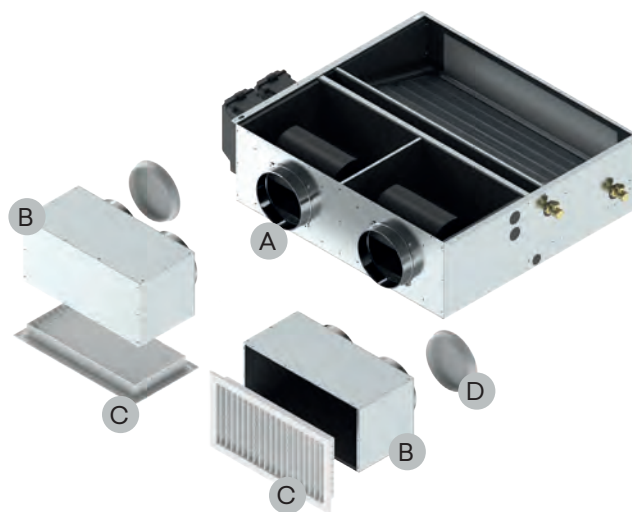
DUCTO MULTI thanks to its multi-fans allows constant and precise regulation of the room temperature in several rooms/areas.

- Each zone/fan can be controlled by a wall control (with WiFi management via App) or by an external 0-10 V signal from thermostats or domotic systems.
- It is possible to control several fans by a single wall control or a single signal in the case of the need to provide ample zone coverage or higher heating/refrigeration requirements



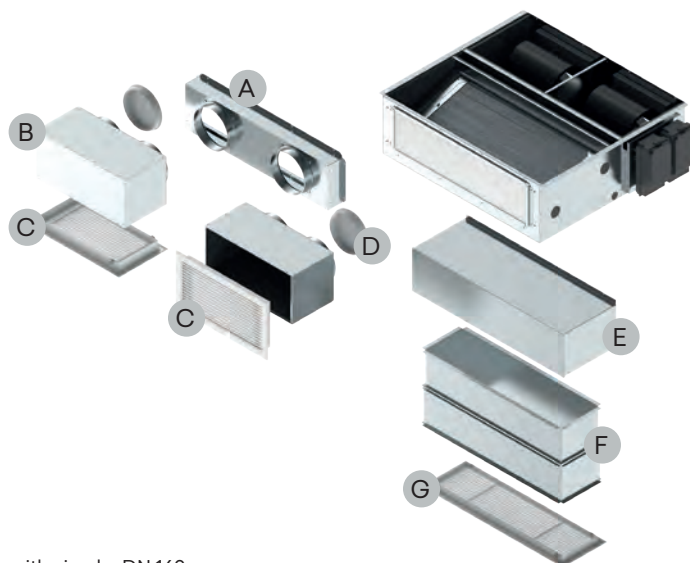
# Configuration options

## AIR SUPPLY ACCESSORIES



- A** Delivery plenum, integrated with DN 160 mm circular outlets.
- B** Insulated plenum for supply/return with two DN 160 mm female inlets and grid connection.
- C** Aluminum delivery grille with double row of adjustable fins.
- D** Cap.

## AIR INTAKE ACCESSORIES



- A** Intake plate with circular DN 160 mm inlets.
- B** Insulated plenum for supply/return with two DN 160 mm female inlets and grid connection.
- C** Suction grid with removable aluminum filter.
- D** Cap.
- E** Plenum kit for rear intake.
- F** Kit telescopico per aspirazione posteriore.
- G** Grid for telescopic kit.





# Gestione Multizona



## Electronic board with continuous modulation for wall control connection M7 series

(Factory installed and tested control)

- PI Logic
- Touch interface
- Modulating speed
- Control up to 16 units
- RS485 modbus port for BUTLER or BMS connection



cod:  
**EEB749II**



cod:  
**EFB749II**

To be ordered separately

There is a programmable digital input for window contact or remote summer/winter changeover

## For connection of 0-10V remote inputs

(Factory installed and tested control)

All thermoregulation and control is handled by an external device (including water probe and valve activation)

Fan speed can be managed with any kind of algorithm via 0-10 V signal



Analog input 0-10 V

# Technical data sheets

		DUCTO MULTI				DUCTO MULTI THIN			
MODEL	u.m.	600	800	1000	1200	600	800	1000	1200
<b>Fancoil aeraulic performance</b>									
Maximum air flow rate	m <sup>3</sup> /h	600	900	1200	1500	480	720	960	1200
Useful prevalence	Pa	100	100	100	100	100	100	100	100
<b>Single zone fancoil aeraulic performance</b>									
Maximum air flow rate	m <sup>3</sup> /h	300	300	300	300	240	240	240	240
Average air flow rate	m <sup>3</sup> /h	205	205	205	205	160	160	160	160
Minimum air flow rate	m <sup>3</sup> /h	60	60	60	60	50	50	50	50
<b>Heating performance (W 45/40; A 20) (1)</b>									
Total power output	kW	3,90	5,70	7,40	9,00	3,30	4,90	6,30	7,65
Water flow rate	L/h	610,00	980,00	1300,00	1570,00	560,00	840,00	1110,00	1305,00
Pressure drop	kPa	29,00	22,00	21,00	12,00	25,00	19,00	18,00	10,00
Maximum power consumption	W	58	85	114	141	38	55	75	90
Maximum sound power	dB(A)	60	61	62	64	58	59	61	62
<b>Single zone heating performance (W 45; A 20) (2)</b>									
Total power output	kW	2,20	2,20	2,20	2,20	1,85	1,85	1,85	1,85
<b>Cooling performance (W 7/12; A 27) (3)</b>									
Total power output	kW	3,80	5,50	7,20	8,10	3,02	4,40	5,70	6,40
Sensible power output	kW	2,70	3,90	5,10	6,10	2,15	3,16	4,10	4,60
Water flow rate	L/h	600,00	950,00	1200,00	1400,00	530,00	800,00	1030,00	1220,00
Maximum input power	W	58	85	114	141	38	55	75	90
Maximum sound power	dB(A)	60	61	62	64	58	59	61	62
<b>Single zone cooling performance (W7; A 27) (4)</b>									
Total power output	kW	2,10	2,10	2,10	2,10	1,70	1,70	1,70	1,70
Sensible power output	kW	1,50	1,50	1,50	1,50	1,23	1,23	1,23	1,23
<b>Room side fan</b>									
Type	Ec Brushless centrifugal forward curved fan								
Number	Nr.	2	3	4	5	2	3	4	5
Maximum absorbed current	A	0,61	0,91	1,22	1,52	0,58	0,87	1,16	1,45
Maximum power consumption	W	140	210	280	350	130	195	260	325

		DUCTO MULTI				DUCTO MULTI THIN			
MODEL	u.m.	600	800	1000	1200	600	800	1000	1200
<b>Room-side sound levels (UNI EN 3741; 3744) (5)</b>									
Sound power transmitted to the structure L <sub>w</sub>	dB(A)	60,0	61,0	62,0	64,0	58,0	59,0	60,0	62,0
Radiated sound power in the channel L <sub>w</sub>	dB(A)	65,0	69,0	69,0	71,0	63,0	67,0	68,0	70,0
Average sound pressure at 1 m L <sub>p</sub>	dB(A)	46,0	48,0	49,0	51,0	44,0	46,0	48,0	50,0
Average sound pressure at 3 m L <sub>p</sub>	dB(A)	38,0	40,0	41,0	43,0	36,0	38,0	39,0	41,0
<b>Heat exchanger (W 7; W 12) (6)</b>									
Type		Hydronic battery							
Number	Nr.	1	1	1	1	1	1	1	1
Battery water content	L	1,13	1,46	1,80	2,14	1,13	1,46	1,80	2,14
Maximum working pressure	bar	10	10	10	10	10	10	10	10
<b>Electrical characteristics</b>									
Power supply	V/ph/Hz	230 / 1 / 50							
Total maximum power consumption	W	140	210	280	350	130	195	260	325
Total absorbed current	A	0,70	1,40	2,10	2,80	0,60	1,20	1,90	2,50
Grade of protection	IP	X0	X0	X0	X0	X0	X0	X0	X0
<b>Product dimensions and weights</b>									
Total width	mm	790	990	1190	1440	790	990	1190	1440
Total height	mm	695	695	695	695	575	575	575	575
Total depth	mm	240	240	240	240	185	185	185	185
Net weight	kg	43,0	47,0	56,0	67,0	41,0	45,0	54,0	56,0
<b>Connections</b>									
Condensate drainage connection	mm	20	20	20	20	20	20	20	20
Hydraulic connections	"EK	3/4"	3/4"	3/4"	3/4"	3/4"	3/4"	3/4"	3/4"
Intake air connection	mm	160	160	160	160	160	160	160	160
Return air connection (base x height)	mm	630 x 150	830 x 150	1030 x 150	1320 x 150	630 x 100	830 x 100	1030 x 100	1320 x 100

(1) Coil water temperature 45/40 °C; Ambient air temperature 20 °C (EU regulation 2016/2281) - maximum speed and useful head 0 Pa

(2) Coil water temperature 45/40 °C; Ambient air temperature 20 °C (EU regulation 2016/2281)

(3) Coil water temperature 7/12 °C; Ambient air temperature 27 °C b.s. and 19° C b.u. (EU regulation 2016/2281) - maximum speed and useful head 0 Pa

(4) Coil water temperature 7/12 °C; Ambient air temperature 27 °C b.s. and 19° C b.u. (EU regulation 2016/2281)

(5) Data referred to UNI EN 3741 and UNI EN 3744.

(6) Flow water temperature 7 °C; Return water temperature 12 °C

# Accessories provided separately

## DELIVERY PLATE

DN 160 mm. Female couplings with M/M couplings provided

### DUCTO

#### Codes

- AHRD0431II** plate with 2 inlets for SLC 400
- AHRD0432II** plate with 3 inlets for SLC 600
- AHRD0433II** plate with 4 inlets for SLC 800
- AHRD0434II** plate with 6 inlets for SLC 1000
- AHRD0435II** plate with 7 inlets for SLC 1200

### DUCTO THIN

#### Codes

- AHRD0561II** plate with 2 inlets for SLC THIN 400
- AHRD0562II** plate with 3 inlets for SLC THIN 600
- AHRD0563II** plate with 4 inlets for SLC THIN 800
- AHRD0564II** plate with 6 inlets for SLC THIN 1000
- AHRD0565II** plate with 7 inlets for SLC THIN 1200



## 90° SHOOTING PLENUM

Dimensions vary by model

### DUCTO / DUCTO MULTI

#### Codes

- AHRD0521II** for SLC 400
- AHRD0522II** for SLC / SLC+ 600
- AHRD0523II** for SLC / SLC+ 800
- AHRD0524II** for SLC / SLC+ 1000
- AHRD0525II** for SLC / SLC+ 1200

### DUCTO THIN / DUCTO MULTI THIN

#### Codes

- AHRD0576II** for SLC THIN 400
- AHRD0577II** for SLC THIN / SLC+ THIN 600
- AHRD0578II** for SLC THIN / SLC+ THIN 800
- AHRD0579II** for SLC THIN / SLC+ THIN 1000
- AHRD0580II** for SLC THIN / SLC+ THIN 1200



## CAMERA PLATE

DN 160 mm. Female couplings with M/M couplings provided

### DUCTO

#### Codes

- AHRD0461II** plate with 2 inlets for SLC 400
- AHRD0462II** plate with 3 inlets for SLC 600
- AHRD0463II** plate with 4 inlets for SLC 800
- AHRD0464II** plate with 6 inlets for SLC 1000
- AHRD0465II** plate with 7 inlets for SLC 1200

### DUCTO THIN

#### Codes

- AHRD0566II** plate with 2 inlets for SLC THIN 400
- AHRD0567II** plate with 3 inlets for SLC THIN 600
- AHRD0568II** plate with 4 inlets for SLC THIN 800
- AHRD0569II** plate with 6 inlets for SLC THIN 1000
- AHRD0570II** plate with 7 inlets for SLC THIN 1200

### DUCTO MULTI

#### Codes

- AHRD0466II** plate with 3 inlets for SLC+ 600
- AHRD0467II** plate with 4 inlets for SLC+ 800
- AHRD0468II** plate with 6 inlets for SLC+ 1000
- AHRD0469II** plate with 7 inlets for SLC+ 1200

### DUCTO MULTI THIN

#### Codes

- AHRD0682II** plate with 3 inlets for SLC+ THIN 600
- AHRD0683II** plate with 4 inlets for SLC+ THIN 800
- AHRD0684II** plate with 6 inlets for SLC+ THIN 1000
- AHRD0685II** plate with 7 inlets for SLC+ THIN 1200



## REPLACEMENT FILTERS

Replacement filter kit

### DUCTO / DUCTO THIN

### DUCTO MULTI / DUCTO MULTI THIN

#### Codes

- AHRD0491II** for SLC / SLC THIN 400
- AHRD0492II** for SLC / SLC THIN / SLC+ / SLC+ THIN 600
- AHRD0493II** for SLC / SLC THIN / SLC+ / SLC+ THIN 800
- AHRD0494II** for SLC / SLC THIN / SLC+ / SLC+ THIN 1000
- AHRD0495II** for SLC / SLC THIN / SLC+ / SLC+ THIN 1200



## TELESCOPIC KIT

Telescopic kit. Minimum extension 153 mm, maximum extension 270 mm

### DUCTO / DUCTO MULTI

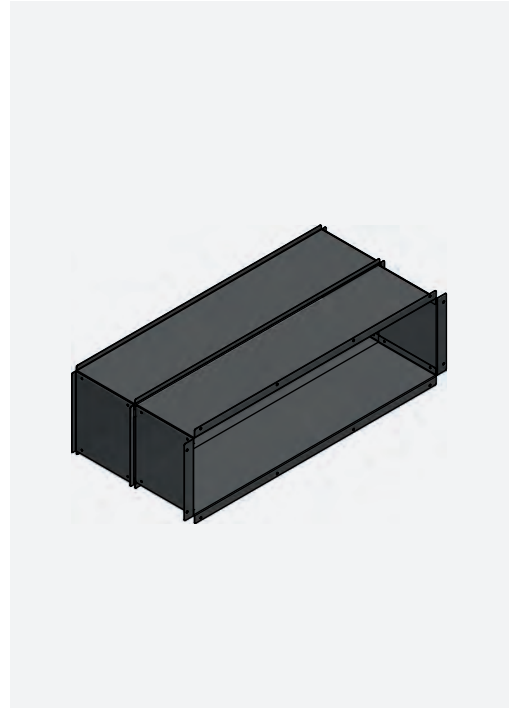
#### Codes

- AHRD0531II** for SLC 400
- AHRD0532II** for SLC / SLC+ 600
- AHRD0533II** for SLC / SLC+ 800
- AHRD0534II** for SLC / SLC+ 1000
- AHRD0535II** for SLC / SLC+ 1200

### DUCTO THIN / DUCTO MULTI THIN

#### Codes

- AHRD0581II** for SLC THIN 400
- AHRD0582II** for SLC THIN / SLC+ THIN 600
- AHRD0583II** for SLC THIN / SLC+ THIN 800
- AHRD0584II** for SLC THIN / SLC+ THIN 1000
- AHRD0585II** for SLC THIN / SLC+ THIN 1200



---

## GRIDS FOR TELESCOPIC KIT

Variable size according to model

### DUCTO

#### Codes

- AHRD0541II** for SLC 400
- AHRD0542II** for SLC / SLC+ 600
- AHRD0543II** for SLC / SLC+ 800
- AHRD0544II** for SLC / SLC+ 1000
- AHRD0545II** for SLC / SLC+ 1200

### DUCTO THIN

#### Codes

- AHRD0586II** for SLC THIN 400
- AHRD0587II** for SLC THIN / SLC+ THIN 600
- AHRD0588II** for SLC THIN / SLC+ THIN 800
- AHRD0589II** for SLC THIN / SLC+ THIN 1000
- AHRD0590II** for SLC THIN / SLC+ THIN 1200



## OUTDOOR AIR KIT

Plenum kit for outdoor air connection  
with damper for room recirculation

### DUCTO / DUCTO MULTI

#### Codes

**AHRD0639II** for SLC 400  
**AHRD0640II** for SLC / SLC+ 600  
**AHRD0641II** for SLC / SLC+ 800  
**AHRD0642II** for SLC / SLC+ 1000  
**AHRD0643II** for SLC / SLC+ 1200

### DUCTO THIN / DUCTO MULTI THIN

#### Codes

**AHRD0571II** for SLC THIN 400  
**AHRD0572II** for SLC THIN / SLC+ THIN 600  
**AHRD0573II** for SLC THIN / SLC+ THIN 800  
**AHRD0574II** for SLC THIN / SLC+ THIN 1000  
**AHRD0575II** for SLC THIN / SLC+ THIN 1200



## DUCTING PLATE

### OUTDOOR AIR KIT

Ducting plate Plenum kit for outdoor air connection  
with damper. Female connections with M/M couplings  
provided

### DUCTO / DUCTO MULTI

#### Codes

**AHRD0651II** for SLC 400  
**AHRD0652II** for SLC / SLC+ 600  
**AHRD0653II** for SLC / SLC+ 800  
**AHRD0654II** for SLC / SLC+ 1000  
**AHRD0655II** for SLC / SLC+ 1200

### DUCTO THIN / DUCTO MULTI THIN

#### Codes

**AHRD0611II** for SLC THIN 400  
**AHRD0612II** for SLC THIN / SLC+ THIN 600  
**AHRD0613II** for SLC THIN / SLC+ THIN 800  
**AHRD0614II** for SLC THIN / SLC+ THIN 1000  
**AHRD0615II** for SLC THIN / SLC+ THIN 1200



## 90° PLENUM FOR OUTDOOR AIR KIT

90° plenum for outdoor air connection kit with damper

### DUCTO / DUCTO MULTI

#### Codes

- AHRD0656II** for SLC 400
- AHRD0657II** for SLC / SLC+ 600
- AHRD0658II** for SLC / SLC+ 800
- AHRD0659II** for SLC / SLC+ 1000
- AHRD0660II** for SLC / SLC+ 1200

### DUCTO THIN / DUCTO MULTI THIN

#### Codes

- AHRD0616II** for SLC THIN 400
- AHRD0617II** for SLC THIN / SLC+ THIN 600
- AHRD0618II** for SLC THIN / SLC+ THIN 800
- AHRD0619II** for SLC THIN / SLC+ THIN 1000
- AHRD0620II** for SLC THIN / SLC+ THIN 1200



## TELESCOPIC KIT FOR OUTDOOR AIR KIT

Telescopic kit for plenum kit for outdoor air connection with damper

### DUCTO / DUCTO MULTI

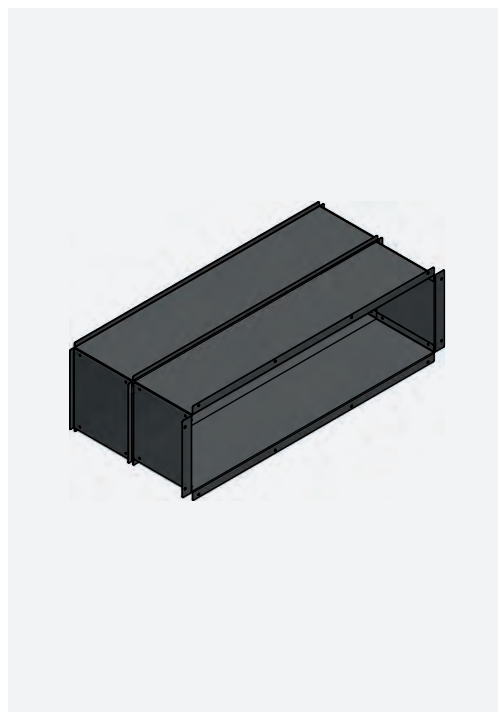
#### Codes

- AHRD0661III** for SLC 400
- AHRD0662II** for SLC / SLC+ 600
- AHRD0663II** for SLC / SLC+ 800
- AHRD0664II** for SLC / SLC+ 1000
- AHRD0665II** for SLC / SLC+ 1200

### DUCTO THIN / DUCTO MULTI THIN

#### Codes

- AHRD0621II** for SLC THIN 400
- AHRD0622II** for SLC THIN / SLC+ THIN 600
- AHRD0623II** for SLC THIN / SLC+ THIN 800
- AHRD0624II** for SLC THIN / SLC+ THIN 1000
- AHRD0625II** for SLC THIN / SLC+ THIN 1200





## GRIDS FOR TELESCOPIC KIT FOR OUTDOOR AIR KIT

Grille for telescopic kit for plenum kit for outdoor air connection with damper

### DUCTO / DUCTO MULTI

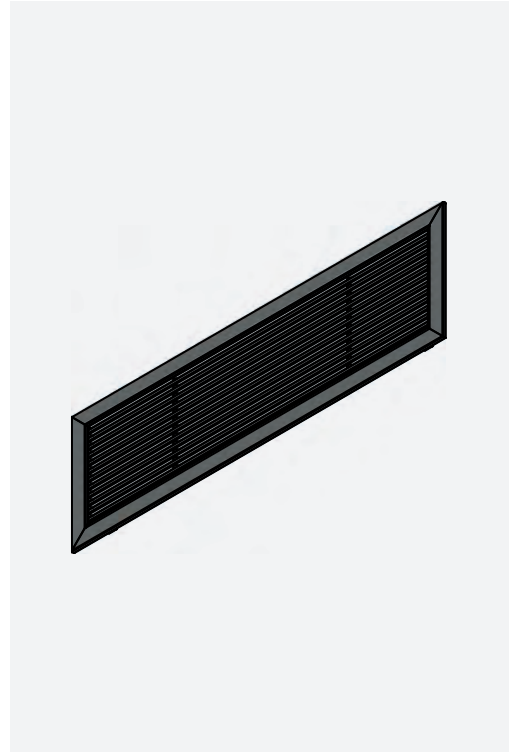
#### Codes

- AHRD0666II** plate with 2 inlets for SLC 400
- AHRD0667II** plate with 3 inlets for SLC 600
- AHRD0668II** plate with 4 inlets for SLC 800
- AHRD0669II** plate with 6 inlets for SLC 1000
- AHRD0670II** plate with 7 inlets for SLC 1200

### DUCTO THIN / DUCTO MULTI THIN

#### Codes

- AHRD0626II** for SLC THIN 400
- AHRD0627II** for SLC THIN / SLC+ THIN 600
- AHRD0628II** for SLC THIN / SLC+ THIN 800
- AHRD0629II** for SLC THIN / SLC+ THIN 1000
- AHRD0630II** for SLC THIN / SLC+ THIN 1200



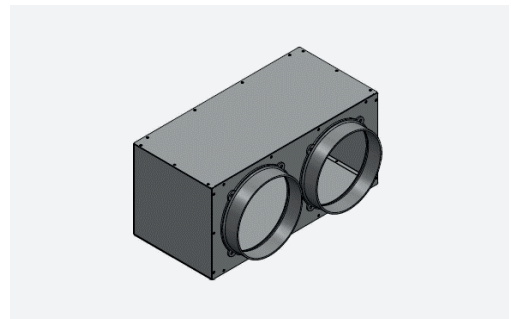
## INSULATED SUPPLY/RETURN PLENUM

Insulated plenum for supply/return with 2 DN 160 mm ports, No. 1 DN 160 mm plug and grid connection

### DUCTO / DUCTO THIN DUCTO MULTI / DUCTO MULTI THIN

#### Codes

- AHRA0708II** For all models.



## NON-RETURN DAMPER

### DUCTO MULTI / DUCTO MULTI THIN

#### Codes

- AHRD0519II** For all models.



### **ALUPHONIC INSULATED HOSE**

DN 160 mm flexible duct with aluminum/polyester/ aluminum wall complete with: harmonic steel wire helical spiral, polyester fiber heat-insulating coating (25 mm thick, 16 kg/m<sup>3</sup>) to prevent dispersion of microfibers, and aluminized film outer protection (flame retardant). Operating temperature: -30/+140°C. Bending radius: min. 800 mm

**DUCTO / DUCTO THIN  
DUCTO MULTI / DUCTO MULTI THIN**

**Codes**

**SCE316010II** For all models.



---

### **DISCHARGE GRILLE**

Aluminum delivery grille with double row of adjustable fins, white color

**DUCTO / DUCTO THIN  
DUCTO MULTI / DUCTO MULTI THIN**

**Codes**

**AHRA0709II** For all models.



---

### **INTAKE GRILLE**

Suction grid with removable aluminum filter, white color

**DUCTO / DUCTO THIN  
DUCTO MULTI / DUCTO MULTI THIN**

**Codes**

**AHRA0710II** For all models.

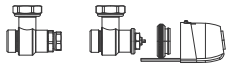


# Hydraulic assemblies and fittings



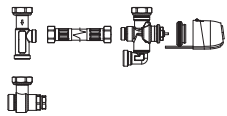
**I20205II**      **ALL**      Manual 2-way valve assembly

---



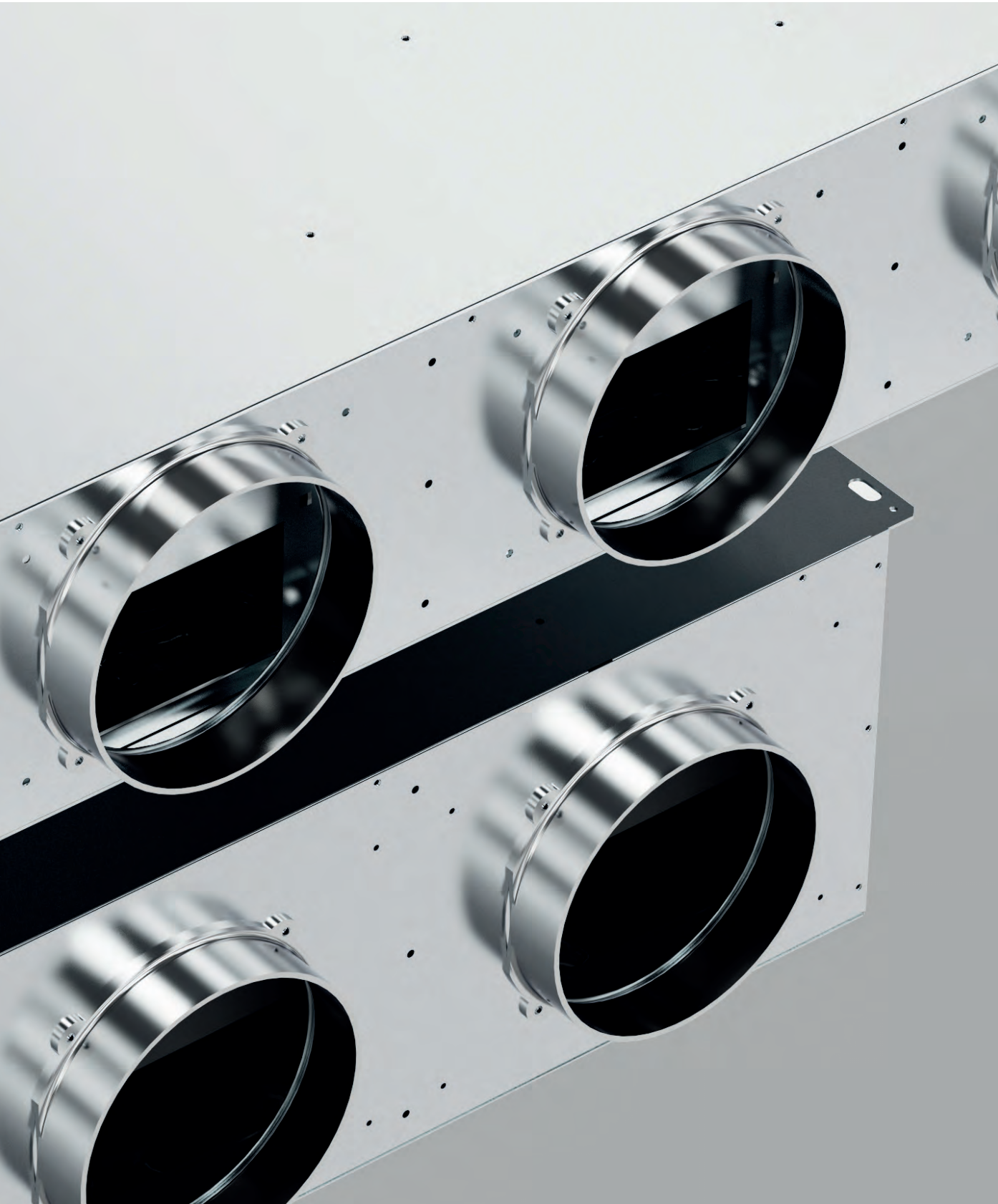
**V20139II**      **ALL**      2-way valve assembly (inlet valve and lockshield) with thermoelectric motor

---



**V30361II**      **ALL**      3-way diverter valve assembly with thermoelectric motor (complete with 3-way inlet valve and lockshield)



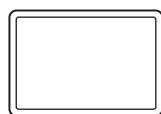


# BUTLER<sup>PRO</sup>



**BUTLER<sup>PRO</sup> TOUCH**  
with built-in display

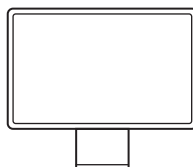
Display



**BUTLER<sup>PRO</sup>**  
by WEB

Local PC

Tablet e Mobile



## The advanced plant control

The BUTLER<sup>PRO</sup> web server is the system that INNOVA has developed to control an entire winter and summer air conditioning system from a local and remote network.

BUTLER<sup>PRO</sup> allows you to connect the heat pump, controlled mechanical ventilation system, fan coils and all the other system elements via a serial connection.

BUTLER<sup>PRO</sup> is complete, simple and intuitive at the same time: you can configure a weekly calendar with time zones, create specific zones and change the settings so your home is at the right comfort level for your needs..





### **Supervision and control through local network or remotely**

The system can be managed through a smartphone, tablet or computer

---

### **Summer and winter personalised programming**

Different programmes can be set for each season

---

### **Setting of three temperature levels on the INNOVA fan coil network**

For each room or zone it is possible to select 3 different work temperatures, which can be modified at any time

---

### **Weekly time programming**

In each room it is possible to set different operating times

---

### **Etwork interface like the one on PCs**

Once the bus network between the heat pump and the fan coils has been made, the connection with the Web server is the same as that of a normal computer

---

### **Remote assistance**

With the user's consent, BUTLER can automatically access the INNOVA cloud for diagnostics and assistance in case of need

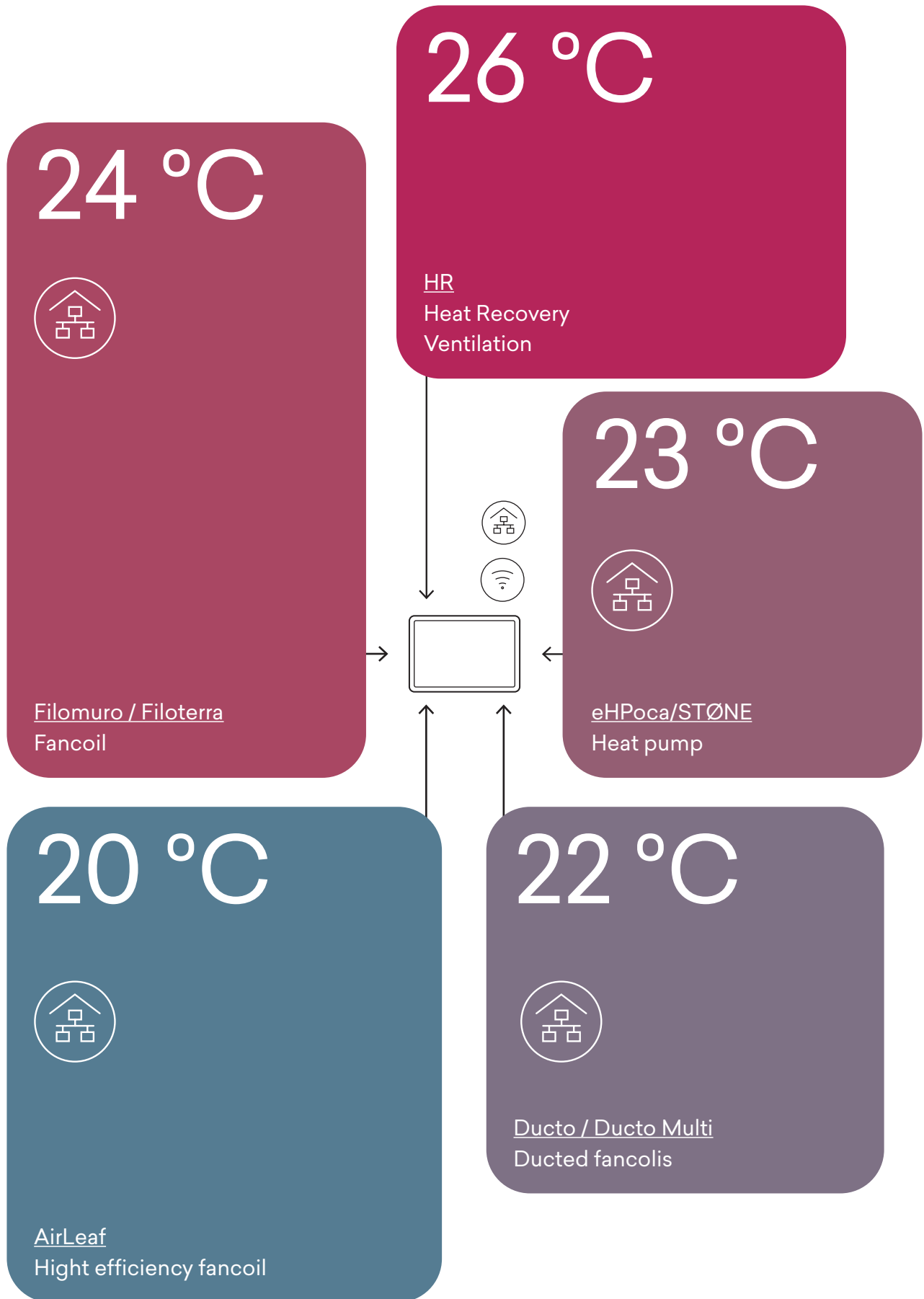
---

### **Control by room**

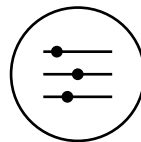
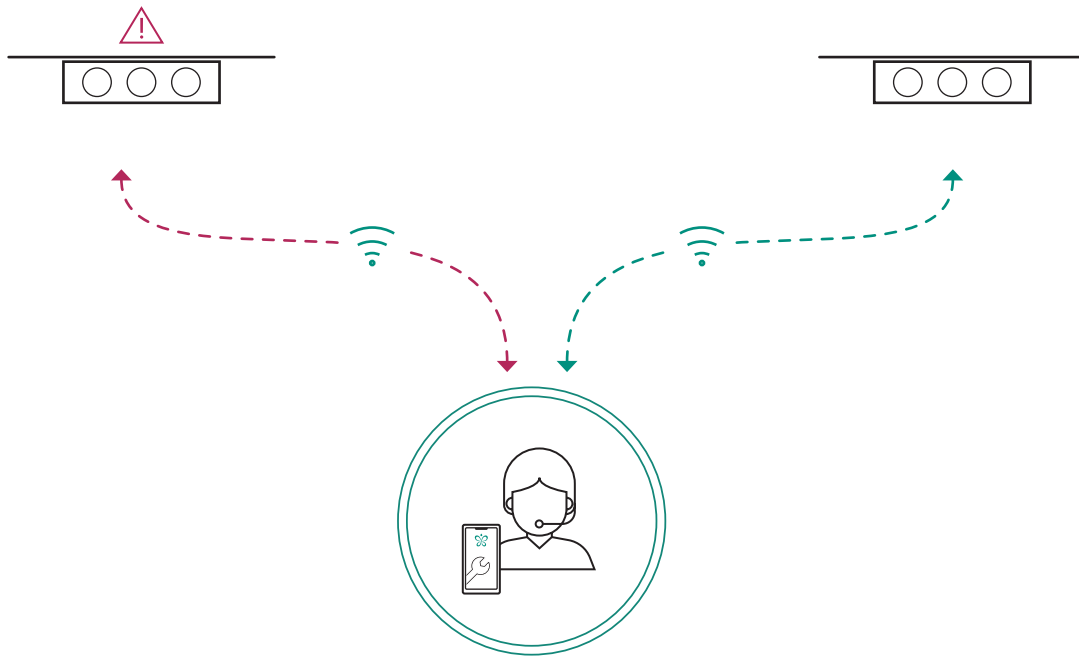
Room-by-room control with BUTLER you can set a weekly time-based calendar, create scenarios for each room or by zones, change settings so that your home is at the right comfort level at the time you need it







Web Server  
BUTLER PRO



**Remote assistance Total control**

With the user's consent, BUTLER<sup>PRO</sup>, can automatically access the INNOVA cloud for diagnostics and assistance in case of need. Thanks to the Internet connection, it is possible to verify remotely the correct operation of INNOVA products connected to the BUTLER<sup>PRO</sup>. Any operating anomalies can be transmitted automatically from the BUTLER<sup>PRO</sup> to the assistance centre which can in-tervene by modifying the functional parameters or decide to physically intervene by providing a quick and timely service

**Total control**

The advantage of choosing a complete INNOVA system is that, for any need, we are the only reference both for routine maintenance and for assistance purposes. A complete and high quality service.





**Network commands**

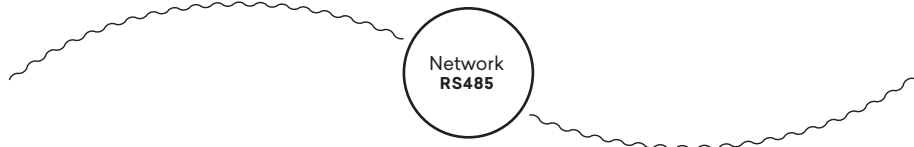
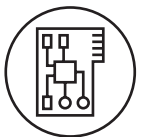
For remote control and fancoils network management

**Web Server BUTLER.**

Fancoils with controls  
cod: EEB749II

**BUTLER<sup>PRO</sup>**

Kit Web Server BUTLER<sup>PRO</sup> for  
local and remote control of  
fancoil networks







## Ideas, products, people



## CREDITS

Art Direction & Graphic

Osmo design

Photography

Ottavio Tomasini

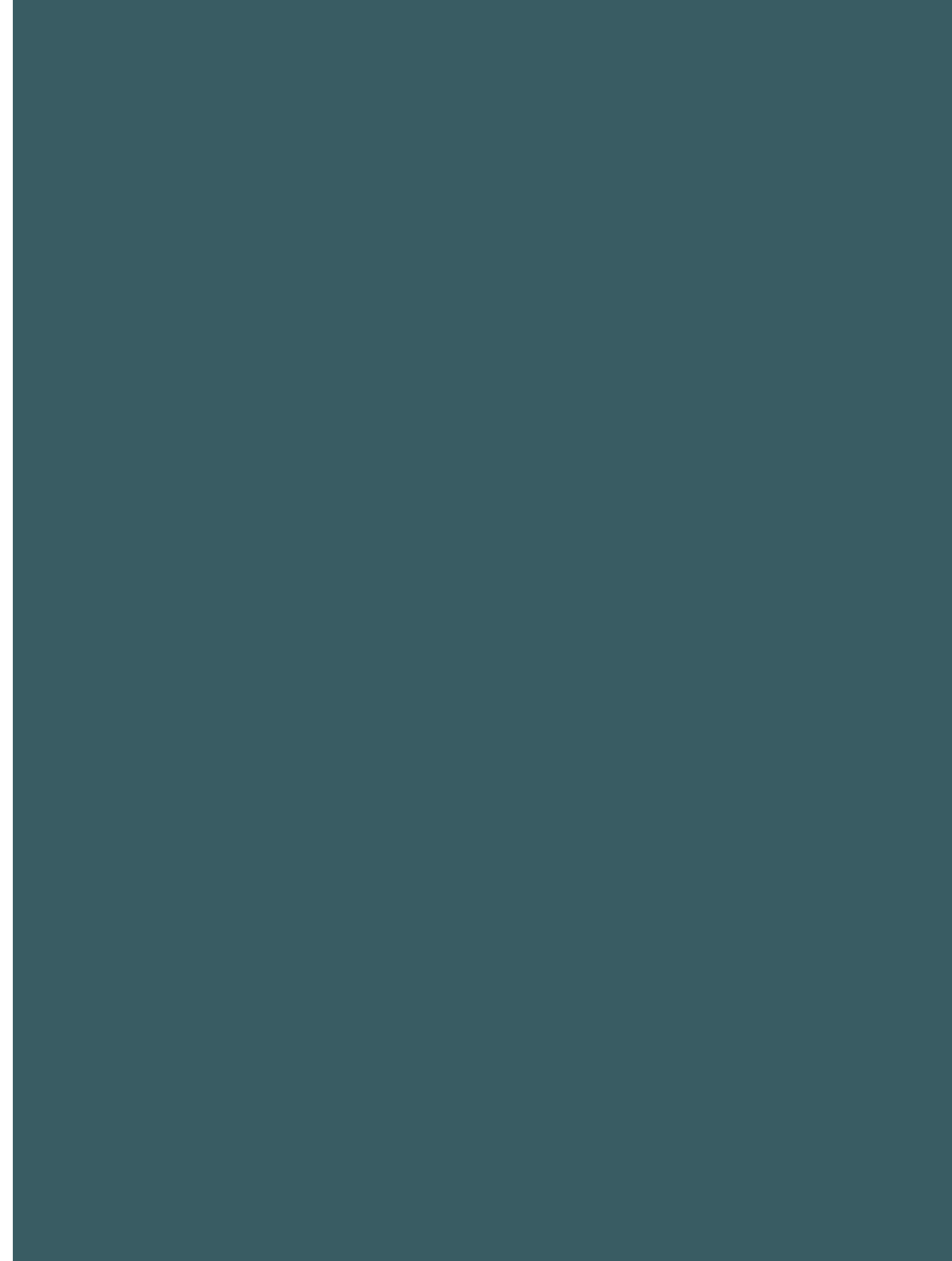
Special thanks to:

Akira Nishikawa

All rights reserved - photographs, images and texts are protected by copyright, any use of all or part of them not expressly authorised by INNOVA will result in consequent sanctions.

INNOVA reserves the right to make changes at any time to its products, accessories and technical data in order to improve its offer.







**INNOVA s.r.l.**  
Via 1° Maggio, 8  
38089 Storo (Tn)  
Tel. +39 0465 670104  
Fax: +39 0465 674965  
info@innovaenergie.com

[www.innovaenergie.com](http://www.innovaenergie.com)

Edizione 2024/1